



MATHS

BOOKS - KAPLAN INC MATHS (ENGLISH)

LINES, ANGLES, AND TRIANGLES

Multiple Choice Question

1. The angles of trinalge are in the ratio 2: 3: 4.

What is the degree measures of the largest

angle?

A. 40

B. 80

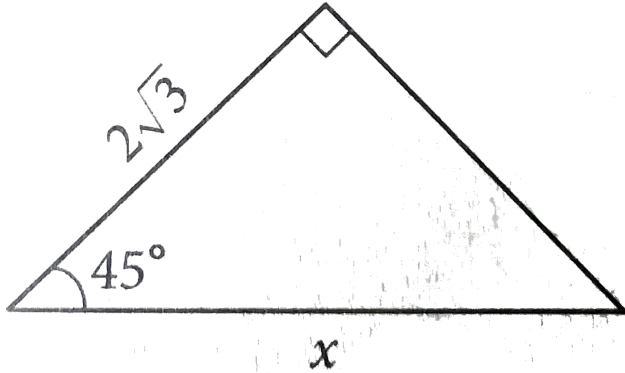
C. 90

D. 120

Answer: B



Watch Video Solution



2.

In the figure above, what is the value of x ?

A. $2\sqrt{6}$

B. 6

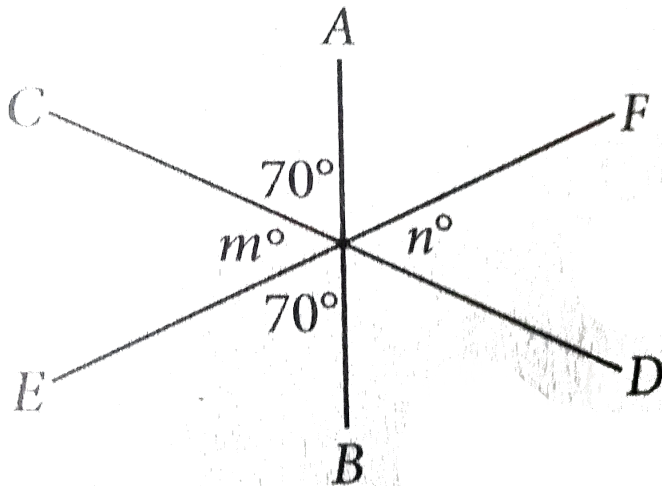
C. $6\sqrt{2}$

D. 6

Answer: A



Watch Video Solution



3.

In the figure above, \overline{AB} , \overline{CD} , and \overline{EF} all intersect. What is the value of n ?

A. 30

B. 40

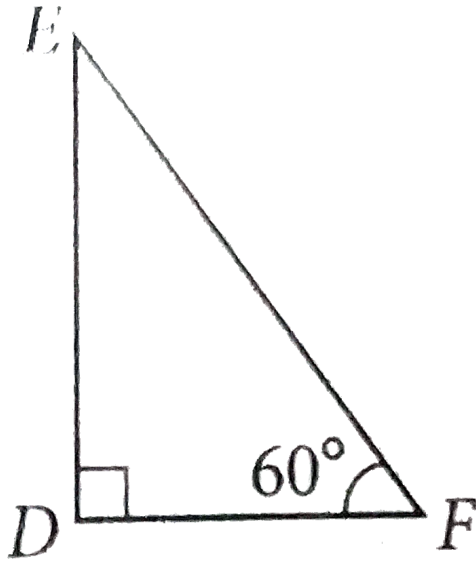
C. 50

D. 60

Answer: B



Watch Video Solution



4.

The area of triangle DEF is $32\sqrt{3}$ square units.

What is the length of \overline{DF} ?

A. 8

B. $8\sqrt{3}$

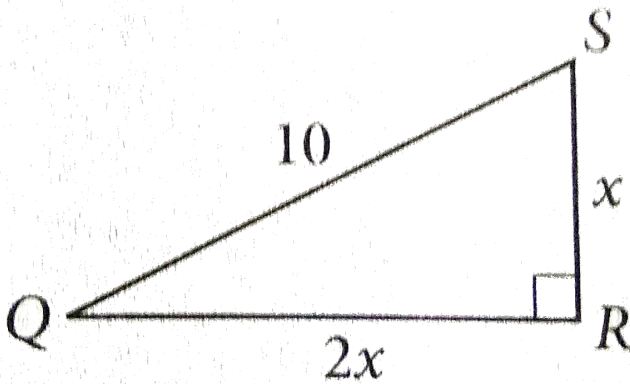
C. 16

D. $16\sqrt{3}$

Answer: A



Watch Video Solution



5.

In the figure above, what is the area of $\triangle ORS$?

A. $2\sqrt{5}$

B. 10

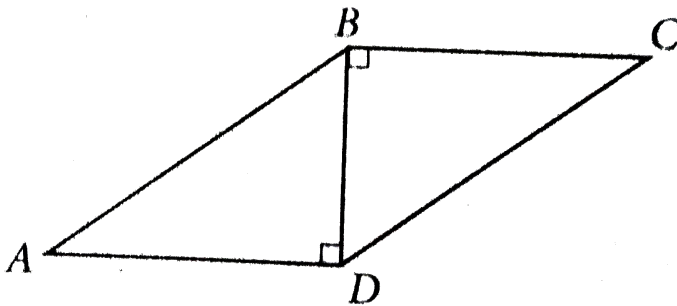
C. $8\sqrt{5}$

D. 20

Answer: D



Watch Video Solution



6.

If $AD = 2CD$, and $DB = BC = 6$, what is the length of side AB ?

A. $6\sqrt{2}$

B. 12

C. $12\sqrt{2}$

D. 18

Answer: D



Watch Video Solution

7. A triangle is graphed on a standard coordinate plane. What is the perimeter of the triangle if it has vertices $(1, 4)$, $(1, 7)$, and $(4, 4)$?

A. $3 + \sqrt{2}$

B. $3\sqrt{2}$

C. $6 + 3\sqrt{2}$

D. $9 + \sqrt{2}$

Answer: C

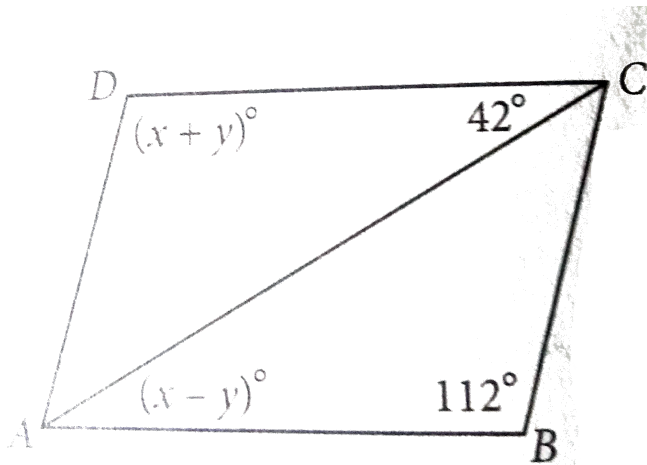


Watch Video Solution

8. What is the area, in square units, of an isosceles right triangle with a hypotenous of 2?



Watch Video Solution



9.

Figure ABCD is a parallelogram. What is the product of xy ?

A. 2, 695

B. 2, 940

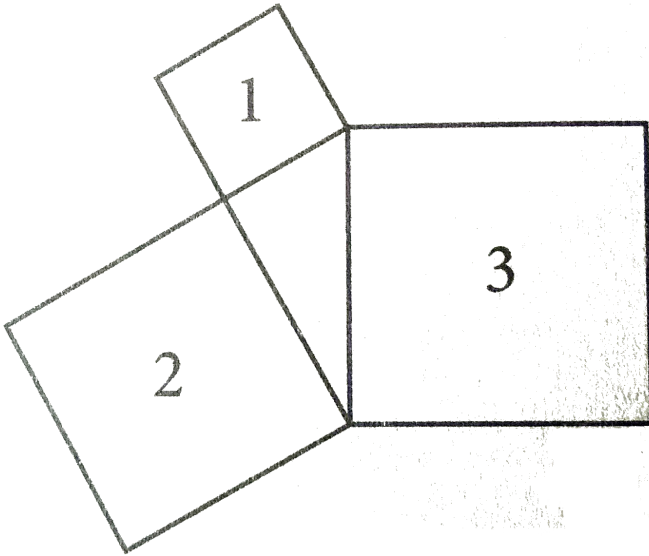
C. 4, 704

D. 6, 468

Answer: A



Watch Video Solution



10.

Each of the quadrilaterals figure above is a square. The area of the smallest square (square 1) is 16 square units, and the area of the medium square (square 2) is 48 square units. What is the area, in square units, of the largest square (square 3)?

A. 56

B. 64

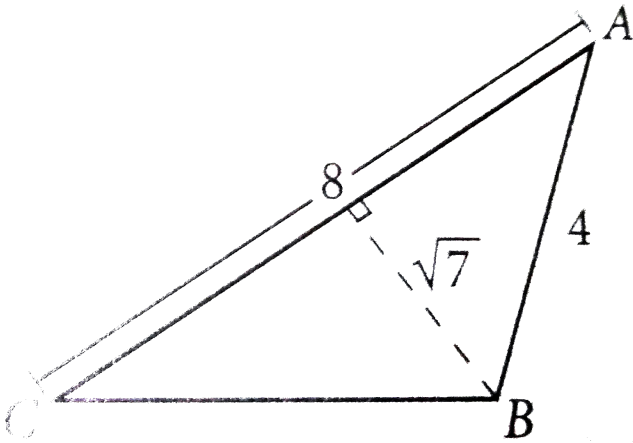
C. 78

D. 96

Answer: B



Watch Video Solution



11.

In the figure above, what is the length of side BC?

A. $4\sqrt{2}$

B. $4\sqrt{3}$

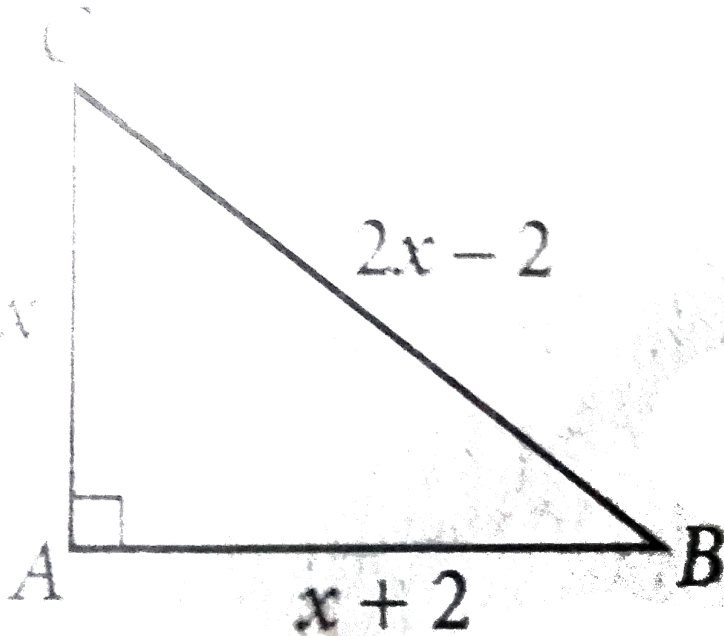
C. $4\sqrt{5}$

D. $4\sqrt{7}$

Answer: A



Watch Video Solution



12.

In the figure above, $\triangle ABC$ is a right triangle. What is the value of x ?



[Watch Video Solution](#)