



MATHS

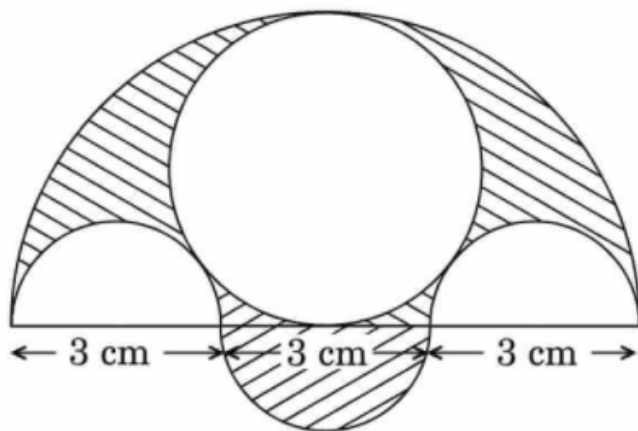
BOOKS - X BOARDS

X Boards

S

1. Three semicircles each of diameter 3 cm, a circle of diameter 4.5 cm and a semicircle of radius 4.5 cm are drawn in the given figure.

Find the area of the shaded region.



[Watch Video Solution](#)

Questions

1. Prove that $(4 + 3\sqrt{5})$ is irrational .



[Watch Video Solution](#)

