



PHYSICS

BOOKS - AIIMS PREVIOUS YEAR PAPERS

AIIMS 2019 25 MAY MORNING SHIFT

Physics

1. A person wear normal spectacles in which the distance of glasses and eyes is approximately 2 cm. then power required is $-5D$ if the wears contact lens, then the requires power is

- A. $-5.2D$
- B. $-4.54D$
- C. $+5.2D$
- D. $+4.7D$

Answer: B



View Text Solution

2. If radius of the earth is 6347 km, then what will be difference between acceleration of free falls and acceleration due to gravity near the earth's surface?

- A. A. 0.34
- B. B. 0.034
- C. C. 0.0034
- D. D. 0.24

Answer: B



View Text Solution

3. A semi circular arc of radius r and a straight wire along the diameter, both are carrying same current i find out magnetic force per unit length on the small element P , which is at the centre of curvature.



A. $\left(\frac{\mu_0 i^2}{4r}\right)$

B. $\left(\frac{\mu_0 i^2}{2r}\right)$

C. $\left(\frac{\mu_0 i^2}{r}\right)$

D. $\left(\frac{2\mu_0 i^2}{r}\right)$

Answer: A



[View Text Solution](#)

4. Find the charge in steady state of the capacitor



A. $10nC$

B. $20nC$

C. $30nC$

D. $40nC$

Answer: A::C



View Text Solution

5. A current of 10 amp is passing through a metallic wire of cross sectional area $4 \times 10^{-6} m^2$. If the density of the aluminium conductor is 2.7 gm/cc considering aluminium gives 1 electrons per atom for conduction find the drift speed of the electrons if molecular weight of aluminium is 27 gm.

A. $1.6 \times 10^{-4} m/s$

B. $3.6 \times 10^{-4} m/s$

C. $2.6 \times 10^{-4} m/s$

D. $1.5 \times 10^{-4} m/s$

Answer: C



[Watch Video Solution](#)

6. If speed of sound in air is 330 m/s then find the number of tones present in an open organ pipe of length 1 m whose frequency is ≤ 1000 .

A. 2

B. 4

C. 8

D. 6

Answer: D



[Watch Video Solution](#)

7. An electron is revolving in $n=3$ orbit. What will be the magnetic field at the centre of hydrogen atom.

A. a) 0.1 T

B. b) 5T

C. c) 0.5T

D. d) 0.05T

Answer: D



[View Text Solution](#)

8. A light of wavelength 500 nm is incident on a young's slit. The distance between slits and screen is $D=1.8\text{m}$ and distance between slits is $d=0.4\text{ mm}$. if screen moves with a speed 4m/s, with what speed first maxima will move?

A. a. 5mm/s

B. b.4mm/s

C. c.3mm/s

D. d.2mm/s

Answer: A



[Watch Video Solution](#)

9. An electron collides with a hydrogen atom in its ground state and excites it to $n = 3$. The energy gives to hydrogen atom in this inelastic collision is [Neglect the recoiling of hydrogen atom]

- A. 12.1 eV
- B. 10.2 eV
- C. 12.75 eV
- D. 10 eV

Answer: A



[Watch Video Solution](#)

10. A transformer with turns ratio $\frac{N_1}{N_2} = \frac{50}{1}$ is connected to a 120 volt AC supply. If primary and secondary circuit resistance are $1.5k\Omega$ and 1Ω respectively then find out power out put.

A. 5.76 W

B. 11.4 W

C. 2.89 W

D. 7.56 W

Answer: A



[Watch Video Solution](#)

11. Modern treatment method P.E.T is based on !

A. proton emission

B. positron emission

C. β^- emission

D. particle emission

Answer: B

 [Watch Video Solution](#)

12. A gun applies a force F on a bullet which is given by $F = (100 - 0.5 \times 10^5 t) N$. The bullet emerges out with speed 400 m/s. then find out the impulsive exerted till force on bullet becomes zero.

A. 0.2N-s

B. 0.3N-s

C. 0.1N-s

D. 0.4N-s

Answer: C

 [Watch Video Solution](#)

13. A proton is projected with velocity $\vec{V} = 2\hat{i}$ in a region where magnetic field $\vec{B} = (\hat{i} + 3\hat{j} + 4\hat{k})\mu T$ and electric field $\vec{E} = 10\hat{i}\mu V/m$

. Then find out the net acceleration of proton:

A. $1400m/s^2$

B. $700m/s^2$

C. $1000m/s^2$

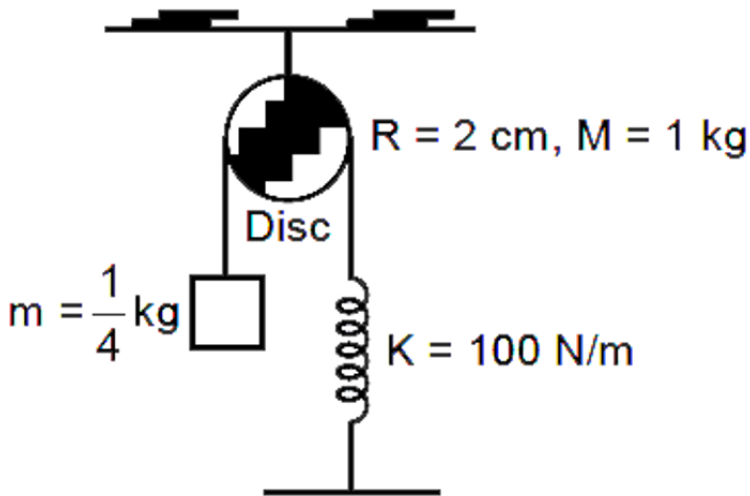
D. $800m/s^2$

Answer: A



Watch Video Solution

14. For the system given below, find the angular frequency of oscillation?



A. $\frac{10}{\sqrt{3}}$

B. $10\sqrt{3}$

C. $\frac{20}{\sqrt{3}}$

D. $20\sqrt{3}$

Answer: C



View Text Solution

15. For a telescope, focal length of objective lens is 15 cm and focal length of eye piece is 10 mm. if tube length is 16 cm, then find the magnification.

A. 150

B. 15

C. 1.5

D. 10

Answer: B



[Watch Video Solution](#)

16. If sink and source temperature of a refrigerator are $4^{\circ}C$ and $15^{\circ}C$ respectively. Then efficiency of refrigerator is:

A. 0.076

B. 0.0382

C. 0.019

D. 1

Answer: B



[Watch Video Solution](#)

17. In an isothermal process 2 water drops of radius 1 mm are combined to form a bigger drop. Find the energy change in this process if $T=0.1 \text{ N/m}$

A. $1\mu F$

B. $0.5\mu J$

C. $0.25\mu F$

D. $0.75\mu F$

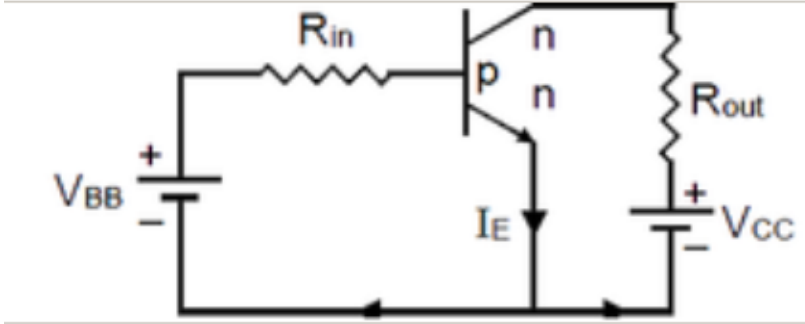
Answer: B



[Watch Video Solution](#)

18. The given transistor operates in saturation region then what should be the value of V_{BB}

($R_{out} = 200\Omega$, $R_{in} = 100K\Omega$, $V_{CC} = 3\text{volt}$, $V_{BE} = 0.7\text{volt}$, $V_{CE} = 0$, $\beta = 2$)



- A. 4.1 volt
- B. 7.5 volt
- C. 8.2 volt
- D. 6.8 volt

Answer: C

[View Text Solution](#)

19. Body A of mass $4m$ moving with speed u collides with another body B of mass $2m$ at rest, the collision is head on and elastic in nature. After the collision the fraction of energy lost by colliding body A is :

A. $\frac{5}{9}$

B. $\frac{1}{9}$

C. $\frac{8}{9}$

D. $\frac{4}{9}$

Answer: C



[Watch Video Solution](#)

20. A disc of radius 20 cm and mass half kg is rolling on an inclined plane. Find out friction force so that disc performs pure rolling.



A. $\frac{5\sqrt{2}}{3} N$

B. $\frac{5}{3\sqrt{2}}N$

C. $\frac{5}{\sqrt{2}}N$

D. $\frac{5}{2\sqrt{3}}N$

Answer: B



[View Text Solution](#)

21. If temperature of Sun=6000K, radius of Sun is $7.2 \times 10^5 \text{ Km}$, radius of earth=6000 Km & distance between earth and Sun = $15 \times 10^7 \text{ Km}$. find intensity of light on earth.

A. 38.4×10^{16}

B. 12.2×10^{16}

C. 18.3×10^{16}

D. 8.2×10^{16}

Answer: A



Watch Video Solution

22. If radius of O_2 molecule = 40\AA . $T = 27^\circ\text{C}$ and $P=1\text{atm}$. Find the time of relaxation.

A. 10^{-10} sec

B. 10^{-12} sec

C. 10^{-14} sec

D. 10^{-8} sec

Answer: B



View Text Solution

23. Frequency of L-C circuit is f_1 . If a resistance R is also added to it the frequency becomes f_2 . The ratio of $\frac{f_1}{f_2}$ will be.

A. $\sqrt{1 + \frac{R^2C}{4L}}$

B. $\sqrt{1 - \frac{R^2C}{4L}}$

C. $\sqrt{1 + \frac{R^2C}{L}}$

D. $\sqrt{1 - \frac{R^2C}{L}}$

Answer: B



Watch Video Solution

24. 

If one mole of an ideal gas goes through the process

$A \rightarrow B$ and $B \rightarrow C$. Given that $T_A = 400K$, and $T_C = 400K$. If

$\frac{P_A}{P_B} = \frac{1}{5}$, then find the heat supplied to the gas.

A. 2049.2 J

B. 3659.2 J

C. 2225.2 J

D. 2659.2 J

Answer: D



[View Text Solution](#)

25. A capacitor of capacitance 9nF having dielectric slab of $\epsilon_r = 2.4$ dielectric strength 20 MV/m and P.D.=20V calculate area of plates.

A. $2.1 \times 10^{-4} m^2$

B. $4.2 \times 10^{-4} m^2$

C. $1.4 \times 10^{-4} m^2$

D. $2.4 \times 10^{-4} m^2$

Answer: B



[Watch Video Solution](#)

26. In figure two parallel infinitely long current carrying wires are shown.

If resultant magnetic field point A is zero. Then determine current I.



A. 50A

B. 15A

C. 30A

D. 25A

Answer: C



View Text Solution

27. A liquid enter at point A_1 with speed 3.5 m/s and leaves at point A_2 .

Then find out the height attained by the liquid above point A_2 .



A. 61.25 cm

B. 51.25 cm

C. 41.25 cm

D. 71.25 cm

Answer: A



[View Text Solution](#)

28. If potential energy is given by $U = \frac{a}{r^2} - \frac{b}{r}$. Then find out maximum force. (given $a=2, b=4$)

A. $-\frac{16}{27}N$

B. $-\frac{32}{27}N$

C. $+\frac{32}{27}N$

D. $+\frac{16}{27}N$

Answer: A



[Watch Video Solution](#)

29. Find γ for the mixture of 11 gm CO_2 and 14 gm N_2 ?

A. $\gamma_{mix} = \frac{7}{5}$

B. $\gamma_{mix} = \frac{10}{5}$

C. $\gamma_{mix} = \frac{11}{8}$

D. $\gamma_{mix} = \frac{4}{3}$

Answer: A



[View Text Solution](#)

30. The de-Broglie wavelength of electron in 3rd orbit of He^{+1} ion is approximately

A. $2A^\circ$

B. $3A^\circ$

C. $4A^\circ$

D. $5A^\circ$

Answer: D



View Text Solution

31. Find ratio of acceleration and angular acceleration of com? If for the above diagram $m=2\text{kg}$ and $r=10\text{ cm}$



A. $\frac{1}{5}$

B. $\frac{1}{10}$

C. $\frac{1}{15}$

D. $\frac{1}{20}$

Answer: D



View Text Solution

32. Find total energy, $PE&KE$ of electron in :

(A) 2^{nd} orbit of He^+ ion.

(B) 1^{st} excited state of Be^{+3} ion.

A. $-10.6eV$

B. $-13.6eV$

C. $-15.6eV$

D. $-25.6eV$

Answer: C



Watch Video Solution

33. A toroid having average diameter 2.5 m, number A turns 400 , current=2A and magnetic field has 10T what will be induced magnetic field (in amp/m)

A. $\frac{10^5}{4\pi}$

B. $\frac{10^8}{4\pi}$

C. $\frac{10^8}{2\pi}$

D. $\frac{10^2}{2\pi}$

Answer: B



Watch Video Solution

34. Find magnification for lens.



A. 2

B. 5

C. 7

D. 12

Answer: B



View Text Solution

35. Calculate radiation power for sphere whose temperature is 227°C and radius 2 m and emissivity 0.8.

A. 1425 W

B. 1500W

C. 1255W

D. 1575W

Answer: A



[Watch Video Solution](#)

36. Determine efficiency of carnot cycle if in adiabatic expansion volume 3 times of initial and $\gamma=1.5$.

A. $1 - \frac{1}{\sqrt{2}}$

B. $1 - \frac{1}{\sqrt{3}}$

C. $1 + \frac{1}{\sqrt{2}}$

D. $1 + \frac{1}{\sqrt{3}}$

Answer: B



Watch Video Solution

37. Amximum amplitude of SHM so block A will not slip on block B,

K=100N/m



A. 2

B. 4

C. 6

D. 8

Answer: C



View Text Solution

38. The temperature of food material in refrigerator is 4°C and temperature of environment is 15°C . If carnot cycle is used in its working gas, then find its carnot efficiency.

A. a.0.038

B. b.0.028

C. c.0.053

D. d.0.072

Answer: A



[Watch Video Solution](#)

39. The graph between velocity and position for a damped oscillation will be-

A. Straight line

B. circle

C. ellipse

D. spiral

Answer: D



View Text Solution

40. Assertion: In u_{235} fission reaction neutrons are required to be slowed down.

Reason: The probability of capture of slow moving neutrons is high for u_{235} .

A. If both assertion and reason are true and reason is the correct explanation of assertion.

B. If both assertion and reason are true but reason is not the correct explanation of assertion.

C. If assertion is true but reason is false.

D. If both assertion and reason are false.

Answer: A

 [Watch Video Solution](#)

41. Assertion: P v/s $\frac{1}{V}$ graph is straight line for adiabatic process.

Reason: $PV = \text{constant}$ for adiabatic process.

- A. If both assertion and reason are true and reason is the correct explanation of assertion.
- B. If both assertion and reason are true but reason is not the correct explanation of assertion.
- C. If assertion is true but reason is false.
- D. If both assertion and reason are false.

Answer: D

 [Watch Video Solution](#)

42. Assertion: Electron moving perpendicular to \vec{B} will perform circular motion.

Reason: Force by magnetic field is perpendicular to velocity.

- A. If both assertion and reason are true and reason is the correct explanation of assertion.
- B. If both assertion and reason are true but reason is not the correct explanation of assertion.
- C. If assertion is true but reason is false.
- D. If both assertion and reason are false.

Answer: B



[View Text Solution](#)

43. Assertion: A glass ball is dropped on concrete floor can easily get broken compared if it is dropped on wooden floor.

Reason: On concrete floor glass ball will take less time to come to rest.

- A. If both assertion and reason are true and reason is the correct explanation of assertion.
- B. If both assertion and reason are true but reason is not the correct explanation of assertion.
- C. If assertion is true but reason is false.
- D. If both assertion and reason are false.

Answer: A



[View Text Solution](#)

44. Assertion: Distance between position of bright and dark fringe remain same in YDSE.

Reason: Fringe width $\beta = \frac{\lambda D}{d}$.

- A. If both assertion and reason are true and reason is the correct explanation of assertion.
- B. If both assertion and reason are true but reason is not the correct explanation of assertion.
- C. If assertion is true but reason is false.
- D. If both assertion and reason are false.

Answer: A



[View Text Solution](#)

45. Assertion: Paramagnetic substances get poorly attracted in magnetic field.

Reason: Because magnetic dipoles are aligned along external magnetic field weakly.

- A. If both assertion and reason are true and reason is the correct explanation of assertion.

B. If both assertion and reason are true but reason is not the correct explanation of assertion.

C. if assertion is true but reason is false.

D. If both assertion and reason are false.

Answer: A

 [Watch Video Solution](#)

46. Assertion: Heavy water is used to slow down neutron in nuclear reactor.

Reason: It does not react with slow speed neutron and mass of deuterium is comparable to the neutron

A. 1. If both assertion and reason are true and reason is the correct explanation of assertion.

B. 2.If both assertion and reason are true but reason is not the correct explanation of assertion.

C. 3.if assertion is true but reason is false.

D. 4. If both assertion and reason are false.

Answer: A



Watch Video Solution

47. Assertion: Collisionn between two billiard's ball are inelastic

Reason: Momentum remains conserve during the collision.

A. 1. If both assertion and reason are true and reason is the correct explanation of assertion.

B. 2. If both assertion and reson are true but reason is not the correct explanation of assertion.

C. 3. if assertion is true but reason is false.

D. 4. If both assertion and reason are false.

Answer: B

48. Assertion: Rayleigh scattering can be considered as elastic collisions of photons with massive particles.

Reason: In Rayleigh scattering. The energy of incident and scattered is same.

- A. If both assertion and reason are true and reason is the correct explanation of assertion.
- B. If both assertion and reason are true but reason is not the correct explanation of assertion.
- C. If assertion is true but reason is false.
- D. If both assertion and reason are false.

Answer: A

49. Assertion: FM broadcast is better than AM broadcast.

Reason: Noise change is maximum is amplitude of AM waves.

- A. 1.If both assertion and reason are true and reason is the correct explanation of assertion.
- B. 2.If both assertion and reason are true but reason is not the correct explanation of assertion.
- C. 3.If assertion is true but reason is false.
- D. 4.If both assertion and reason are false.

Answer: A



[Watch Video Solution](#)

50. Assertion: In adiabatic process work is independent of path.

Reason: In adiabatic process work done is equal to negative of change in internal energy.

- A. If both assertion and reason are true and reason is the correct explanation of assertion.
- B. If both assertion and reason are true but reason is not the correct explanation of assertion.
- C. If assertion is true but reason is false.
- D. If both assertion and reason are false.

Answer: A



Watch Video Solution

51. Assertion: Water drops take spherical shape when falling freely.

Reason: Water has minimum surface tension among all liquids.

- A. 1. If both assertion and reason are true and reason is the correct explanation of assertion.

B. 2.If both assertion and reson are true but reason is not the correct explanation of assertion.

C. 3.if assertion is true but reason is false.

D. 4.If both assertion and reason are false.

Answer: D

 [Watch Video Solution](#)

52. Assertion: In ionospheric reflection, phase change does not occurs with the light wave.

Reason: The ionosphere reflection is similar to the total internal reflection is similar to the total internal reflection in miral.

A. 1.If both assertion and reason are true and reason is the correct explanation of assertion.

B. 2.If both assertion and reson are true but reason is not the correct explanation of assertion.

C. 3.if assertion is true but reason is false.

D. 4.If both assertion and reason are false.

Answer: A



[Watch Video Solution](#)

53. Assertion: There is not loss in energy in elastic collision.

Reason: Linear momentum is conserved in elastic collision.

A. If both assertion and reason are true and reason is the correct explanation of assertion.

B. If both assertion and reason are true but reason is not the correct explanation of assertion.

C. if assertion is true but reason is false.

D. If both assertion and reason are false.

Answer: B

54. Assertion: In both radio activity and photoelectric effect electrons may be ejected.

Reason: In photoelectric effect and radio activity emission occurs only of unstable elements.

- A. 1. If both assertion and reason are true and reason is the correct explanation of assertion.
- B. 2. If both assertion and reason are true but reason is not the correct explanation of assertion.
- C. 3. If assertion is true but reason is false.
- D. 4. If both assertion and reason are false.

Answer: C