



# BIOLOGY

## BOOKS - ICSE

### MODEL TEST PAPER I

#### Section I Name The Following

1. The kingdom to which bacteria belongs



**Watch Video Solution**

2. Simple aquatic plants having their body as thallus



[Watch Video Solution](#)

3. The pigment in plants responsible for trapping solar energy



[Watch Video Solution](#)

4. Aerating pores found on woody stems for gaseous exchange



**Watch Video Solution**

5. An important excretory waste that is removed by the kidneys



**Watch Video Solution**

6. The Swedish botanist who developed a way to organize and name plants and animals



**Watch Video Solution**

7. The protist that has a whip-like structure called flagellum for movement



**Watch Video Solution**

**8.** The main structural component of the outermost layer of human skin



**Watch Video Solution**

**9.** The kingdom that comprises single-celled, prokaryotic organisms



**Watch Video Solution**

**10.** Structures that branch out from the cyton in a root-like fashion and receive signals from the axon terminals of other nerve cells



**Watch Video Solution**

## Section I Choose The Correct Answer

**1.** The tissue that stores energy for future use is:

A. ligament

B. adipose tissue

C. areolar tissue

D. cartilage

**Answer:**



**Watch Video Solution**

**2. Arrange the following from high to low.**

A. Kingdom, Class, Phylum

B. Class, Phylum, Kingdom

C. Phylum, Class, Kingdom

D. Kingdom, Phylum, Class

**Answer:**



**Watch Video Solution**

**3. Which of the following do the plants need for photosynthesis?**

A. Chlorophyll

B. Light



C. Carbon dioxide and water

D. All of the above

**Answer:**



**Watch Video Solution**

4. Prokaryotic organisms have a nuclear material present within

A. nucleoplasm

B. matrix

C. cytoplasm

D. none of the above

**Answer:**



**Watch Video Solution**

5. The part of ear responsible for static balance is

A. cochlea

B. semicircular canals

C. malleus

D. vestibule

**Answer:**



**Watch Video Solution**

**6. Cartilage is made of special cells called**

A. osteocytes

B. chondrocytes

C. adipocytes

D. erythrocytes

**Answer:**



**Watch Video Solution**

7. Which is the fluid component of blood?

A. RBCs

B. WBCs

C. Blood platelets

D. Blood plasma

**Answer:**



**Watch Video Solution**

**8.** The whip-like structure that helps bacteria in locomotion is called

A. cilia

B. centriole

C. flagellum

D. pseudopodia

**Answer:**



**Watch Video Solution**

9. Which of these bacteria infects canned food?

- A. *Clostridium tetani*
- B. *Clostridium botulinum*
- C. *Salmonella typhi*
- D. *Vibrio cholerae*

**Answer:**



**Watch Video Solution**

**10.** The cell wall of fungi is made up of

A. plastids

B. lignin

C. chitin

D. pectin

**Answer:**



[Watch Video Solution](#)

## Section I Match The Column

1. When are IgE produced?



[Watch Video Solution](#)

## Section I



1. Given below is an example of a particular structure and its special functional activity. e.g., Leaf and photosynthesis, On a similar pattern complete the following:

i. Xylem and \_\_\_\_\_

ii. Cerebellum and \_\_\_\_\_

iii. Root nodules and \_\_\_\_\_

iv. Kidney and \_\_\_\_\_

v. Sensory neuron and \_\_\_\_\_



**Watch Video Solution**

2. In each set of terms given below, there is an odd one and cannot be grouped in the same category to which the other three belong. Identify the odd terms in each set and name the category to which the remaining three belong.

Example: Eye, Ear, Nose, Lungs

Odd term: Lungs

Category: Sense organs

i. Malleus, Iris, Incus, Stapes

ii. Amoeba, Euglena, Bacteria, Paramecium

iii. Snake, Fish, Earthworm, Bird

iv. Squamous, Muscular, Columnar, Cuboidal

v. Pitcher plant, Rose plant, Venus fly trap,  
Sundew



[Watch Video Solution](#)

**3.** State the main function of the following:

Pseudopodia (in Amoeba)



[Watch Video Solution](#)

**4.** State the main function of the following:

Cuticle



[Watch Video Solution](#)

5. State the main function of the following:

Neuron



[Watch Video Solution](#)

6. State the main function of the following:

Sclereids



[Watch Video Solution](#)

7. State the main function of the following:

Skin



**Watch Video Solution**

8. Name the photoreceptor cells of eye.



**Watch Video Solution**

9. Name the chambers of heart which carry oxygenated blood?





[Watch Video Solution](#)

**10.** How does the pupil operate in a bright light?



[Watch Video Solution](#)

**11.** What is the function of the optic nerve?



[Watch Video Solution](#)

**12.** Complete the following paragraph by filling

in the blanks (i) to (v) with appropriate words:

(i) \_\_\_\_\_ make up about 80% of the animal kingdom. Their bodies have a hard, outer covering or exoskeleton made up of a proteinaceous substance called (ii) \_\_\_\_\_. The body is divided into a (iii) \_\_\_\_\_ thorax, and (iv) \_\_\_\_\_. It also bears multiple pairs of jointed legs. Arthropods also have antennae and (v) \_\_\_\_\_ on their heads.



**Watch Video Solution**

13. Silkworm : Sericulture :: honeybee :

-----



[Watch Video Solution](#)

14. Correct the following statements by changing the underlined words:

R.H. Whittaker proposed a two-kingdom classification of living organisms.



[Watch Video Solution](#)



**15.** Correct the following statements by changing the underlined words:

Nervous tissues are made up of neurons that transmit messages in the form of magnetic impulses.



**Watch Video Solution**

**16.** Correct the following statements by changing the underlined words:

Amoeba moves with the help of cytoplasm-filled projections called cilia.



[Watch Video Solution](#)

17. Correct the following statements by changing the underlined words:

Lateral meristem are meristematic tissues that are found at the base of the node, along internodes, on leaf base of monocots.



[Watch Video Solution](#)

**18.** Correct the following statements by changing the underlined words:

All bacteria are grouped under kingdom Protista.



**Watch Video Solution**

**19.** Choose between the two options to answer the question specified in the brackets for the following:

An example is illustrated below.

Example: Mosses or Ferns (Which one bears rhizoids?)

Species or Kingdom (Which is the highest rank of classification)



[Watch Video Solution](#)

**20.** Choose between the two options to answer the question specified in the brackets for the following:

An example is illustrated below.

Example: Mosses or Ferns (Which one bears

rhizoids?)

Streptomyces or Clostridium (Which is used to prepare antibiotics)



[Watch Video Solution](#)

**21.** Choose between the two options to answer the question specified in the brackets for the following:

An example is illustrated below.

Example: Mosses or Ferns (Which one bears rhizoids?)

Blue-green algae or Euglena (Which of these lacks mitochondria)



[Watch Video Solution](#)

**22.** Choose between the two options to answer the question specified in the brackets for the following:

An example is illustrated below.

Example: Mosses or Ferns (Which one bears rhizoids?)

Striated muscles or Unstriated muscles (Which of these are involuntary muscles)



[Watch Video Solution](#)

**23.** Choose between the two options to answer the question specified in the brackets for the following:

An example is illustrated below.

Example: Mosses or Ferns (Which one bears rhizoids?)

Leucocytes or Thrombocytes (Which of these initiate blood clotting)



**Watch Video Solution**

**24. Define. Sericulture**



**Watch Video Solution**

**25. Define. Apiculture**



**Watch Video Solution**



**26.** Choose the odd one out from the following terms given and name the category to which the others belong:

Example: Epithelial tissue, Connective tissue, Meristematic tissue, Muscular tissue Answer:

Odd Term - Meristematic tissue, Category - Animal tissues

Erythrocytes, chondrocytes, leucocytes, thrombocytes



**Watch Video Solution**

27. Choose the odd one out from the following terms given and name the category to which the others belong:

Example: Epithelial tissue, Connective tissue, Meristematic tissue, Muscular tissue Answer:

Odd Term - Meristematic tissue, Category - Animal tissues

Cell body, dendrite, axon, tendon



[Watch Video Solution](#)

**28.** Choose the odd one out from the following terms given and name the category to which the others belong:

Example: Epithelial tissue, Connective tissue, Meristematic tissue, Muscular tissue Answer:

Odd Term - Meristematic tissue, Category - Animal tissues

Cocci, Bacilli, Spirilla, Streptococci



**Watch Video Solution**

**29.** Choose the odd one out from the following terms given and name the category to which the others belong:

Example: Epithelial tissue, Connective tissue, Meristematic tissue, Muscular tissue Answer:

Odd Term - Meristematic tissue, Category - Animal tissues

Cholera, tuberculosis, smut, tetanus



**Watch Video Solution**

**30.** Choose the odd one out from the following terms given and name the category to which the others belong:

Example: Epithelial tissue, Connective tissue, Meristematic tissue, Muscular tissue Answer:

Odd Term - Meristematic tissue, Category - Animal tissues

Digestion, respiration, absorption, assimilation



[Watch Video Solution](#)

**Section I Complete The Following Paragraph**

1. Plants need carbon dioxide and (i) \_\_\_\_\_, the raw materials for photosynthesis to occur. The (ii) \_\_\_\_\_ is trapped by chlorophyll for converting the raw materials into chemical energy of food. (iii) \_\_\_\_\_ are oval shaped organelles found in the leaf cells. They contain the chlorophyll pigments. The food prepared by plants is carried by (iv) \_\_\_\_\_ to organs like roots, stems and leaves for its (v) \_\_\_\_\_.



[Watch Video Solution](#)

## Section II

1. Name the organelle responsible for storage of wastes as well as nutrients in plant cell.



[Watch Video Solution](#)

2. What special name is given to the plant cell organelle containing the Chlorophyll?



[Watch Video Solution](#)

3. Label the parts in chloroplast.



**Watch Video Solution**

4. Mention the location of chlorophyll pigment in the plant cell.



**Watch Video Solution**

5. Write the equation involved in photosynthesis.



**Watch Video Solution**



**6.** Give reasons for the following statements:

Cork cambium is responsible for increase in diameter of woody stems.



**Watch Video Solution**

**7.** Give reasons for the following statements:

Yeast is used in bakeries and breweries.



**Watch Video Solution**

**8.** Give reasons for the following statements:

Applying brakes while driving a car is an acquired reflex.



**Watch Video Solution**

**9.** Metabolic wastes need to be removed from the body.



**Watch Video Solution**

**10.** Give reasons for the following statements:

Dodder can cause considerable economic losses of agricultural crops.



**Watch Video Solution**

**11.** Classify the animals into their respective phyla. Hydra, liver fluke, earthworm.



**Watch Video Solution**

**12.** Mosquito, humans, cow, honey bee.

Which of the above animals fall in the category of invertebrates?



**Watch Video Solution**

**13.** To which phylum jellyfish belong?.



**Watch Video Solution**

**14.** State two identifying features of the mosquito.



**Watch Video Solution**

**15.** Differentiate between the following on the basis of criteria the mentioned in brackets:

Excretion and Osmoregulation (define)



**Watch Video Solution**

**16.** Differentiate between the following on the basis of criteria the mentioned in brackets:

Unstriated muscles and Striated Muscles  
(function)



**Watch Video Solution**

**17.** Differentiate between the following on the basis of criteria the mentioned in brackets:

Cuboidal epithelium and Ciliated epithelium  
(location)





[Watch Video Solution](#)

**18.** Differentiate between the following on the basis of criteria the mentioned in brackets:

Tapeworm and Ascaris (organ for egestion)



[Watch Video Solution](#)

**19.** Respiration and photosynthesis (end products)



[Watch Video Solution](#)

**20.** Name the organism which is prokaryote.



**Watch Video Solution**

**21.** State the function of HCl in stomach.



**Watch Video Solution**

**22.** State two characteristic features of the prokaryotic cell by which it differs from an eukaryotic cell.





**Watch Video Solution**

**23.** Write any three instances of economic importance of the bacteria to agriculture.



**Watch Video Solution**

**24.** Name the organ systems.



**Watch Video Solution**

25. What is the structural unit of muscle?



[Watch Video Solution](#)

26. Name the fluid that flows in the human body.



[Watch Video Solution](#)

27. What is the structural unit of bone?



[Watch Video Solution](#)

**28.** Name the organism, which undergoes budding as reproductive process.



**Watch Video Solution**

**29.** Is budding an asexual or sexual mode of reproduction?



**Watch Video Solution**

**30. Define. Vegetative reproduction**



**Watch Video Solution**

**31. Amoeba reproduce by\_\_\_\_\_**



**Watch Video Solution**

**32. Name all the steps involved in this process of sexual reproduction.**



**Watch Video Solution**

**33.** Briefly explain the following terms:

Lateral meristem



**Watch Video Solution**

**34.** Briefly explain the following terms:

Fungi



**Watch Video Solution**

**35.** Briefly explain the following terms:

Chitin



**Watch Video Solution**

**36.** Briefly explain the following terms:

Biofertilizer



**Watch Video Solution**

**37.** Briefly explain the following terms:

Food chain



**Watch Video Solution**

**38.** Name the different allergens



**Watch Video Solution**

**39.** State the entry route of the any allergen



**Watch Video Solution**

**40.** Write two symptoms of the allergic reactions due to Pollen.



**Watch Video Solution**

**41.** Briefly answer the following questions.

Name any two antibiotics of bacterial origin.



**Watch Video Solution**



**42.** Briefly answer the following questions.

State any two harms caused by fungi.



**Watch Video Solution**

**43.** Briefly answer the following questions.

What are the organs of locomotion in an earthworm and starfish?



**Watch Video Solution**

**44.** Briefly answer the following questions.

What are the main types of plant tissues?



**Watch Video Solution**

**45.** Briefly answer the following questions.

Anaerobic respiration by yeast cells yields two end products. Name them.



**Watch Video Solution**

**46.** State two characteristic features of Archaeopteryx.



**Watch Video Solution**

**47.** Define. Pisciculture.



**Watch Video Solution**

**48.** What is live stock?



**Watch Video Solution**

**49.** Write the taxonomic ranks.



**Watch Video Solution**

**50.** How we can consider the cell as basic structural unit of life?



**Watch Video Solution**

**51.** Mention the exact location of the following:

Parenchyma



**Watch Video Solution**

**52.** Mention the exact location of the following:

Apical meristems



**Watch Video Solution**

**53.** Mention the exact location of the following:

Phloem



**Watch Video Solution**

**54.** Mention the exact location of the following:

Areolar tissue



**Watch Video Solution**

**55.** Mention the exact location of the following:

Osteocytes



**Watch Video Solution**

**56.** Define. Poultry.



**Watch Video Solution**

**57.** List the names of period of mesozoic era.



**Watch Video Solution**

58. The first land plants appear in \_\_\_\_\_ period.



[Watch Video Solution](#)

59. Human teeth are known as diphyodont.



[Watch Video Solution](#)

60. Why human teeth are heterodont?





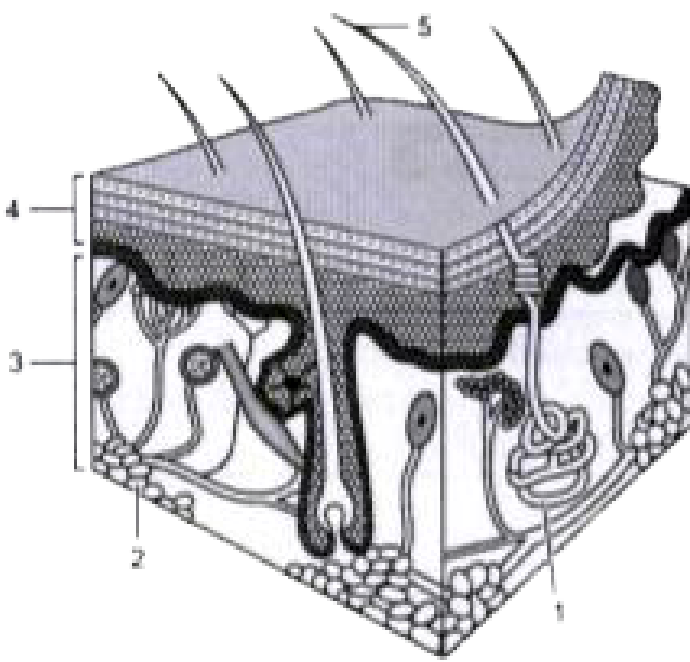
[Watch Video Solution](#)

61. \_\_\_\_\_ number of milk teeth are present in humans.



[Watch Video Solution](#)

62. Study the diagram and answer the questions that follow :

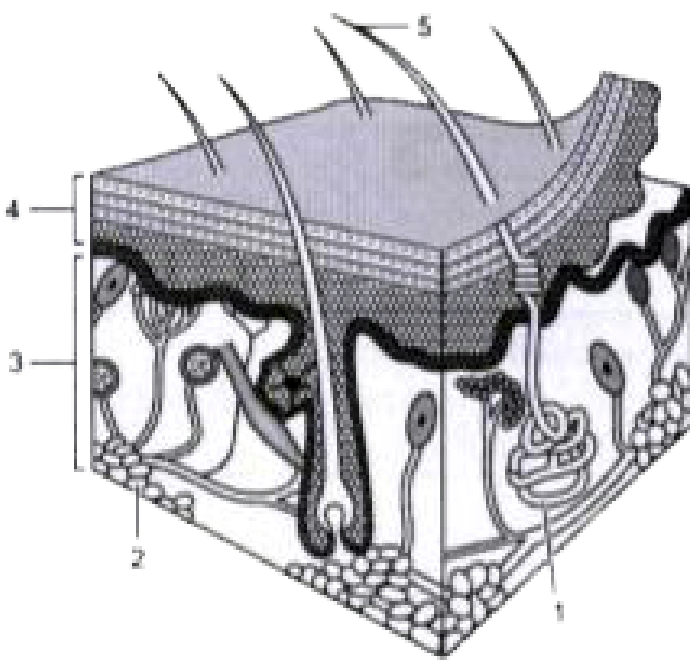


Label the parts 1-5



[Watch Video Solution](#)

**63.** Study the diagram and answer the questions that follow :



Label the parts 1-5



[Watch Video Solution](#)

64. Innermost layer \_\_\_\_\_, provides nourishment to the pollen grains.



[Watch Video Solution](#)

**65.** Give appropriate biological or technical terms for the following:

Aquatic animals having star-shaped body covered with spines



[Watch Video Solution](#)

**66.** Give appropriate biological or technical terms for the following:

A protist, which forms pseudopodia



[Watch Video Solution](#)

**67.** Give appropriate biological or technical terms for the following:

Flattened worms that live as parasites inside the body



[Watch Video Solution](#)

**68.** Give appropriate biological or technical terms for the following:

Terrestrial animals having fur or hair on their bodies



[Watch Video Solution](#)

**69.** Give appropriate biological or technical terms for the following:

Small, single-celled organisms that can be seen with the help of a compound microscope.



[Watch Video Solution](#)

**70.** Give appropriate biological or technical terms for the following:

Complex tissues that conduct water and dissolved mineral salts



**Watch Video Solution**

**71.** Give appropriate biological or technical terms for the following:

Specialized group of tissues that support and bind the different parts of the body





[Watch Video Solution](#)

**72.** Give appropriate biological or technical terms for the following:

Mode of nutrition in Amoeba



[Watch Video Solution](#)

**73.** Give appropriate biological or technical terms for the following:

A thin, elongated structure that extends away from the cyton





[Watch Video Solution](#)

**74.** Give appropriate biological or technical terms for the following:

A straw-coloured watery fluid that is derived from the interstitial fluid



[Watch Video Solution](#)

**75.** Down syndrome.



[Watch Video Solution](#)

**76.** Define the word Trisomy



**Watch Video Solution**

**77.** Define the word Nullisomy.



**Watch Video Solution**

**78.** Write the function of neuron.



**Watch Video Solution**

**79.** Name the cells present in brain.



**Watch Video Solution**

**80.** Differentiate between the following pairs on the basis of what is indicated in the brackets.

Flatworms and Roundworms (body structure)



**Watch Video Solution**

**81.** Differentiate between the following pairs on the basis of what is indicated in the brackets.

Xylem and Phloem (function)



**Watch Video Solution**

**82.** Differentiate between the following pairs on the basis of what is indicated in the brackets.

Fibres and Sclereids (shape)



**Watch Video Solution**

**83.** Differentiate between the following pairs on the basis of what is indicated in the brackets.

Amphibians and Bird (body covering)



**Watch Video Solution**

**84.** Differentiate between the following pairs on the basis of what is indicated in the brackets.

Yeast and Penicillium (benefit)



**Watch Video Solution**

**85.** Basic working unit of the brain is \_\_\_\_\_



**Watch Video Solution**

**86.** List the types of glia cells present in brain.



**Watch Video Solution**

**87.** What is the function of blood tissue present in our body?



**Watch Video Solution**

**88.** Function of bone is to provide\_\_\_\_\_



**Watch Video Solution**

**89.** Give biological explanations for the following:

Birds are able to fly but most mammals are not.



[Watch Video Solution](#)

**90.** Give biological explanations for the following:

Most molluscs also have a hard shell covering their bodies.



[Watch Video Solution](#)



**91.** Give biological explanations for the following:

Classification of plants and animals is important.



**Watch Video Solution**

**92.** Give biological explanations for the following:

The mode of nutrition in fungi is mostly heterotrophic.





[Watch Video Solution](#)

**93.** Give biological explanations for the following:

Large air cavities are present in parenchyma of aquatic plants.



[Watch Video Solution](#)

**94.** What is stomata's function?



[Watch Video Solution](#)

**95.** Which part bears pores for exchange of gases in plants?



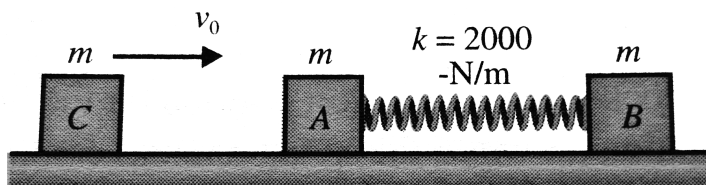
**Watch Video Solution**

**96.** what is the function of the leaves in plants.



**Watch Video Solution**

**97.** Which part of the plant tissue synthesizes food?



188

98.

Two identical blocks A and B, each of mass  $m = 3\text{kg}$ , are connected with the help of an ideal spring and placed on a smooth horizontal surface as shown in Fig. Another identical block C moving velocity  $v_0 = 0.6 \frac{m}{s}$  collides with A and sticks to it, as a result, the

motion of system takes place in some way

Based on this information answer the following questions:

Q. After the collision of C and A, the combined body and block B would

Option1

oscillate about centre of mass of system and centre of mass is at rest.

Option2

oscillate about centre of mass of system and centre of mass is moving.

Option3

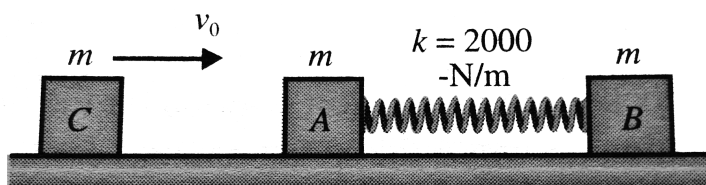
oscillate but about different location other than the centre of mass.

Option 4

not oscillate.



Watch Video Solution



188

99.

Two identical blocks A and B, each of mass  $m = 3\text{kg}$ , are connected with the help of an

ideal spring and placed on a smooth horizontal surface as shown in Fig. Another identical blocks C moving velocity  $v_0 = 0.6 \frac{m}{s}$  collides with A and sticks to it, as a result, the motion of system takes place in some way

Based on this information answer the following questions:

Q. After the collision of C and A, the combined body and block B would

Option1

oscillate about centre of mass of system and centre of mass is at rest.

## Option2

oscillate about centre of mass of system and centre of mass is moving.

## Option3

oscillate but about different location other than the centre of mass.

## Option4

not oscillate.



[Watch Video Solution](#)



**100.** Whittaker classified organisms into five kingdoms. Of these the last kingdom is divided into two groups, invertebrates and vertebrates. Answer the following questions about this group:

Which phylum comprises animals that may exist in either of two forms: one that is attached to the ocean floor and the other that is free-floating? Mention one more characteristic feature of this phylum.



**Watch Video Solution**

**101.** Whittaker classified organisms into five kingdoms. Of these the last kingdom is divided into two groups, invertebrates and vertebrates. Answer the following questions about this group:

Animals of which phylum have a soft unsegmented body that can be divided into three parts? Name the three parts of their body.



**Watch Video Solution**

**102.** Whittaker classified organisms into five kingdoms. Of these the last kingdom is divided into two groups, invertebrates and vertebrates. Answer the following questions about this group:

Animals of which phylum give birth to young ones? Mention two more characteristic features of this phylum.



**Watch Video Solution**

**Section II Answer The Following**

1. Draw a labelled diagram of a nerve cell.



[Watch Video Solution](#)

2. Based on the diagram drawn above in (i), give a suitable term for each of the following description.

The neuron that connects sensory neuron to the motor neuron



[Watch Video Solution](#)

3. Based on the diagram drawn above in (i), give a suitable term for each of the following description.

Number of pairs of spinal nerves



[Watch Video Solution](#)

4. Based on the diagram drawn above in (i), give a suitable term for each of the following description.

The nerve that carries impulse from ear to brain



[Watch Video Solution](#)

5. Based on the diagram drawn above in (i), give a suitable term for each of the following description.

The nerves arising from brain



[Watch Video Solution](#)

6. Tissues forming protective layer over surface of plant body



[Watch Video Solution](#)

## Section II Give The Biological Term For The Following

1. A relationship between two organisms living together for mutual benefit



[Watch Video Solution](#)

2. The kingdom to which Amoeba belongs



[Watch Video Solution](#)

3. Chemical substances prepared from dead or weakened germs



[Watch Video Solution](#)

4. Organisms that cause decay of organic matter



[Watch Video Solution](#)



5. Parenchymatous tissue that helps the lotus plant to float



[Watch Video Solution](#)

6. An energy rich molecule that is released during respiration



[Watch Video Solution](#)

7. The filtering units in kidneys



**Watch Video Solution**

**8. Process of putting organisms into groups**



**Watch Video Solution**

**9. A microscopic insect that causes scabies**



**Watch Video Solution**