



BIOLOGY

BOOKS - ICSE

MODEL TEST PAPER II

Section I Name The Following

1. The Swedish botanist who developed a way to organize and name plants and animals



Watch Video Solution

2. The protist that has a whip-like structure called flagellum for movement



[Watch Video Solution](#)

3. The main structural component of the outermost layer of human skin



[Watch Video Solution](#)

4. The kingdom that comprises single-celled, prokaryotic organisms



[Watch Video Solution](#)

5. Structures that branch out from the cyton in a root-like fashion and receive signals from the axon terminals of other nerve cells



[Watch Video Solution](#)

1. Cartilage is made of special cells called

A. osteocytes

B. chondrocytes

C. adipocytes

D. erythrocytes

Answer:



Watch Video Solution

2. Which is the fluid component of blood?

A. RBCs

B. WBCs

C. Blood platelets

D. Blood plasma

Answer:



Watch Video Solution

3. The whip-like structure that helps bacteria in locomotion is called

A. cilia

B. centriole

C. flagellum

D. pseudopodia

Answer:



Watch Video Solution

4. Which of these bacteria infects canned food?

- A. Clostridium tetani
- B. Clostridium botulinum
- C. Salmonella typhi
- D. Vibrio cholerae

Answer:



Watch Video Solution

5. The cell wall of fungi is made up of

A. plastids

B. lignin

C. chitin

D. pectin

Answer:



Watch Video Solution

1. Complete the following paragraph by filling in the blanks (i) to (v) with appropriate words:

(i) _____ make up about 80% of the animal kingdom. Their bodies have a hard, outer covering or exoskeleton made up of a proteinaceous substance called (ii) _____. The body is divided into a (iii) _____ thorax, and (iv) _____. It also bears multiple pairs of jointed legs. Arthropods also have antennae and (v) _____ on their heads.



[Watch Video Solution](#)

2. Silkworm : Sericulture :: honeybee :



[Watch Video Solution](#)

3. Correct the following statements by changing the underlined words:

R.H. Whittaker proposed a two-kingdom classification of living organisms.



[Watch Video Solution](#)

4. Correct the following statements by changing the underlined words:

Nervous tissues are made up of neurons that transmit messages in the form of magnetic impulses.



[Watch Video Solution](#)

5. Correct the following statements by changing the underlined words:

Amoeba moves with the help of cytoplasm-filled projections called cilia.



[Watch Video Solution](#)

6. Correct the following statements by changing the underlined words:

Lateral meristem are meristematic tissues that are found at the base of the node, along internodes, on leaf base of monocots.



[Watch Video Solution](#)

7. Correct the following statements by changing the underlined words:

All bacteria are grouped under kingdom Protista.



[Watch Video Solution](#)

8. Choose between the two options to answer the question specified in the brackets for the following:

An example is illustrated below.

Example: Mosses or Ferns (Which one bears

rhizoids?)

Species or Kingdom (Which is the highest rank of classification)



[Watch Video Solution](#)

9. Choose between the two options to answer the question specified in the brackets for the following:

An example is illustrated below.

Example: Mosses or Ferns (Which one bears rhizoids?)

Streptomyces or Clostridium (Which is used to prepare antibiotics)



Watch Video Solution

10. Choose between the two options to answer the question specified in the brackets for the following:

An example is illustrated below.

Example: Mosses or Ferns (Which one bears rhizoids?)

Blue-green algae or Euglena (Which of these lacks mitochondria)



Watch Video Solution

11. Choose between the two options to answer the question specified in the brackets for the following:

An example is illustrated below.

Example: Mosses or Ferns (Which one bears rhizoids?)

Striated muscles or Unstriated muscles (Which of these are involuntary muscles)



[Watch Video Solution](#)

12. Choose between the two options to answer the question specified in the brackets for the following:

An example is illustrated below.

Example: Mosses or Ferns (Which one bears rhizoids?)

Leucocytes or Thrombocytes (Which of these initiate blood clotting)



[Watch Video Solution](#)

13. Define. Sericulture



[Watch Video Solution](#)

14. Define. Apiculture



[Watch Video Solution](#)

15. Choose the odd one out from the following terms given and name the category to which the others belong:

Example: Epithelial tissue, Connective tissue, Meristematic tissue, Muscular tissue Answer:

Odd Term - Meristematic tissue, Category - Animal tissues

Erythrocytes, chondrocytes, leucocytes, thrombocytes



Watch Video Solution

16. Choose the odd one out from the following terms given and name the category to which the others belong:

Example: Epithelial tissue, Connective tissue, Meristematic tissue, Muscular tissue Answer:

Odd Term - Meristematic tissue, Category - Animal tissues

Cell body, dendrite, axon, tendon



Watch Video Solution

17. Choose the odd one out from the following terms given and name the category to which the others belong:

Example: Epithelial tissue, Connective tissue, Meristematic tissue, Muscular tissue Answer:

Odd Term - Meristematic tissue, Category - Animal tissues

Cocci, Bacilli, Spirilla, Streptococci



[Watch Video Solution](#)

18. Choose the odd one out from the following terms given and name the category to which the others belong:

Example: Epithelial tissue, Connective tissue, Meristematic tissue, Muscular tissue Answer:

Odd Term - Meristematic tissue, Category - Animal tissues

Cholera, tuberculosis, smut, tetanus



Watch Video Solution

19. Choose the odd one out from the following terms given and name the category to which the others belong:

Example: Epithelial tissue, Connective tissue, Meristematic tissue, Muscular tissue Answer:

Odd Term - Meristematic tissue, Category - Animal tissues

Digestion, respiration, absorption, assimilation



[Watch Video Solution](#)

1. State two characteristic features of Archaeopteryx.



Watch Video Solution

2. Define Pisciculture.



Watch Video Solution

3. What is live stock?



Watch Video Solution

4. Write the taxonomic ranks.



Watch Video Solution

5. How we can consider the cell as basic structural unit of life?



Watch Video Solution

6. Mention the exact location of the following:

Parenchyma



Watch Video Solution

7. Mention the exact location of the following:

Apical meristems



Watch Video Solution

8. Mention the exact location of the following:

Phloem



Watch Video Solution

9. Mention the exact location of the following:

Areolar tissue



Watch Video Solution

10. Mention the exact location of the following:

Osteocytes



Watch Video Solution

11. Define. Poultry.



Watch Video Solution

12. List the names of period of mesozoic era.



[Watch Video Solution](#)

13. The first land plants appear in _____ period.



[Watch Video Solution](#)

14. Human teeth are known as diphyodont.



[Watch Video Solution](#)

15. Why human teeth are heterodont?



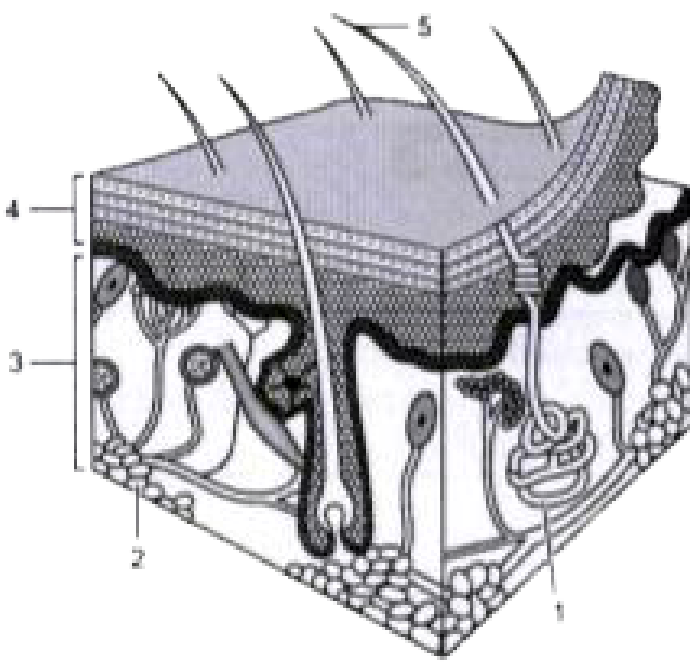
[Watch Video Solution](#)

16. _____ number of milk teeth are present in humans.



[Watch Video Solution](#)

17. Study the diagram and answer the questions that follow :

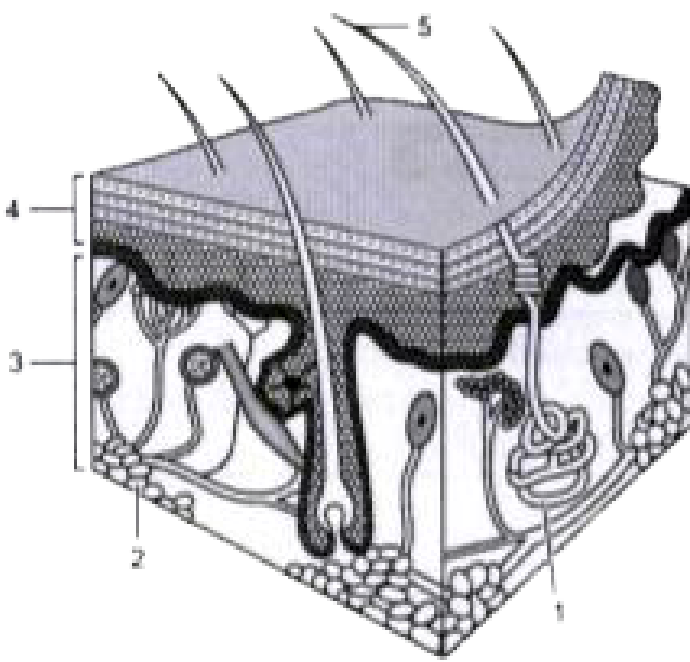


Label the parts 1-5



[Watch Video Solution](#)

18. Study the diagram and answer the questions that follow :



Label the parts 1-5



[Watch Video Solution](#)

19. Innermost layer _____, provides nourishment to the pollen grains.



[Watch Video Solution](#)

20. Give appropriate biological or technical terms for the following:

Aquatic animals having star-shaped body covered with spines



[Watch Video Solution](#)

21. Give appropriate biological or technical terms for the following:

A protist, which forms pseudopodia



[Watch Video Solution](#)

22. Give appropriate biological or technical terms for the following:

Flattened worms that live as parasites inside the body



[Watch Video Solution](#)

23. Give appropriate biological or technical terms for the following:

Terrestrial animals having fur or hair on their bodies



Watch Video Solution

24. Give appropriate biological or technical terms for the following:

Small, single-celled organisms that can be seen with the help of a compound microscope.



Watch Video Solution

25. Give appropriate biological or technical terms for the following:

Complex tissues that conduct water and dissolved mineral salts



Watch Video Solution

26. Give appropriate biological or technical terms for the following:

Specialized group of tissues that support and bind the different parts of the body





[Watch Video Solution](#)

27. Give appropriate biological or technical terms for the following:

Mode of nutrition in Amoeba



[Watch Video Solution](#)

28. Give appropriate biological or technical terms for the following:

A thin, elongated structure that extends away from the cyton



[Watch Video Solution](#)

29. Give appropriate biological or technical terms for the following:

A straw-coloured watery fluid that is derived from the interstitial fluid



[Watch Video Solution](#)

30. Down syndrome.



[Watch Video Solution](#)

31. Define the word Trisomy



Watch Video Solution

32. Define the word Nullisomy.



Watch Video Solution

33. Write the function of neuron.



Watch Video Solution

34. Name the cells present in brain.



Watch Video Solution

35. Differentiate between the following pairs on the basis of what is indicated in the brackets.

Flatworms and Roundworms (body structure)



Watch Video Solution

36. Differentiate between the following pairs on the basis of what is indicated in the brackets.

Xylem and Phloem (function)



Watch Video Solution

37. Differentiate between the following pairs on the basis of what is indicated in the brackets.

Fibres and Sclereids (shape)



Watch Video Solution

38. Differentiate between the following pairs on the basis of what is indicated in the brackets.

Amphibians and Bird (body covering)



Watch Video Solution

39. Differentiate between the following pairs on the basis of what is indicated in the brackets.

Yeast and Penicillium (benefit)



[Watch Video Solution](#)

40. Basic working unit of the brain is _____



[Watch Video Solution](#)

41. List the types of glia cells present in brain.



[Watch Video Solution](#)

42. What is the function of blood tissue present in our body?



Watch Video Solution

43. Function of bone is to provide_____



Watch Video Solution

44. Give biological explanations for the following:

Birds are able to fly but most mammals are not.



[Watch Video Solution](#)

45. Give biological explanations for the following:

Most molluscs also have a hard shell covering their bodies.



[Watch Video Solution](#)

46. Give biological explanations for the following:

Classification of plants and animals is important.



Watch Video Solution

47. Give biological explanations for the following:

The mode of nutrition in fungi is mostly heterotrophic.





[Watch Video Solution](#)

48. Give biological explanations for the following:

Large air cavities are present in parenchyma of aquatic plants.



[Watch Video Solution](#)

49. What is stomata's function?



[Watch Video Solution](#)

50. Which part bears pores for exchange of gases in plants?



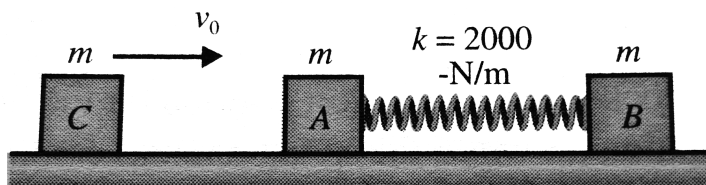
[Watch Video Solution](#)

51. what is the function of the leaves in plants.



[Watch Video Solution](#)

52. Which part of the plant tissue synthesizes food?



188

53.

Two identical blocks A and B, each of mass $m = 3 \text{ kg}$, are connected with the help of an ideal spring and placed on a smooth horizontal surface as shown in Fig. Another identical block C moving velocity $v_0 = 0.6 \frac{m}{s}$ collides with A and sticks to it, as a result, the

motion of system takes place in some way

Based on this information answer the following questions:

Q. After the collision of C and A, the combined body and block B would

Option1

oscillate about centre of mass of system and centre of mass is at rest.

Option2

oscillate about centre of mass of system and centre of mass is moving.

Option3

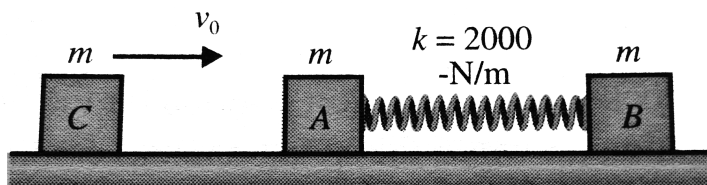
oscillate but about different location other than the centre of mass.

Option 4

not oscillate.



Watch Video Solution



188

54.

Two identical blocks A and B, each of mass $m = 3\text{kg}$, are connected with the help of an

ideal spring and placed on a smooth horizontal surface as shown in Fig. Another identical blocks C moving velocity $v_0 = 0.6 \frac{m}{s}$ collides with A and sticks to it, as a result, the motion of system takes place in some way

Based on this information answer the following questions:

Q. After the collision of C and A, the combined body and block B would

Option1

oscillate about centre of mass of system and centre of mass is at rest.

Option2

oscillate about centre of mass of system and centre of mass is moving.

Option3

oscillate but about different location other than the centre of mass.

Option4

not oscillate.



[Watch Video Solution](#)

55. Whittaker classified organisms into five kingdoms. Of these the last kingdom is divided into two groups, invertebrates and vertebrates. Answer the following questions about this group:

Which phylum comprises animals that may exist in either of two forms: one that is attached to the ocean floor and the other that is free-floating? Mention one more characteristic feature of this phylum.



[Watch Video Solution](#)

56. Whittaker classified organisms into five kingdoms. Of these the last kingdom is divided into two groups, invertebrates and vertebrates. Answer the following questions about this group:

Animals of which phylum have a soft unsegmented body that can be divided into three parts? Name the three parts of their body.



Watch Video Solution

57. Whittaker classified organisms into five kingdoms. Of these the last kingdom is divided into two groups, invertebrates and vertebrates. Answer the following questions about this group:

Animals of which phylum give birth to young ones? Mention two more characteristic features of this phylum.



[Watch Video Solution](#)