



MATHS

BOOKS - SWAN PUBLICATION

PERIMETER AND AREA

Exercise 11 1

1. Find the perimeter and the area of a rectangle having

Length = 28 cm, Breadth = 15 cm



[Watch Video Solution](#)

2. Find the perimeter and the area of a rectangle having

Length = 9.4 cm, Breadth = 2.5 cm



[Watch Video Solution](#)

3. Find the perimeter and the area of a square whose side measures

29 cm





[Watch Video Solution](#)

4. Find the perimeter and the area of a square whose side measures 8.3 cm



[Watch Video Solution](#)

5. The perimeter of a square park is 148 m. Find its area.



[Watch Video Solution](#)

6. The area of a rectangle is 580 cm^2 . Its length is 29 cm. Find its breadth and also, the perimeter.



[Watch Video Solution](#)

7. A wire is in the shape of a rectangle. Its length is 48cm and breadth is 32cm. If the same wire is rebent into the shape of a square, what will be the measure of each side. Also

find which shape encloses more area and by how much ?



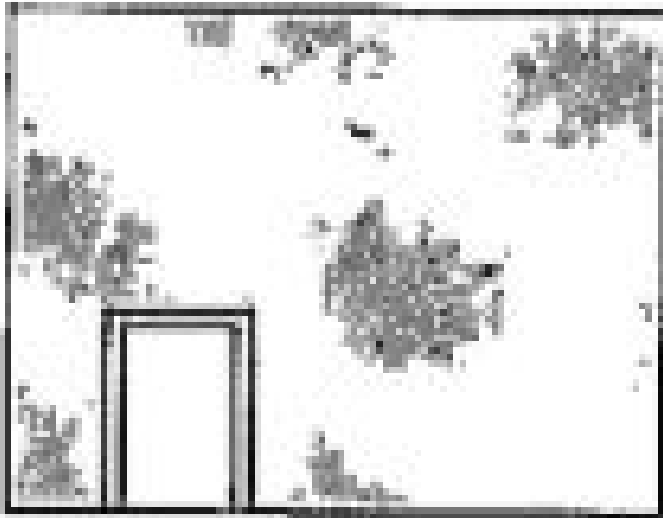
[Watch Video Solution](#)

8. The area of a square park is the same as that of a rectangular park. If the side of the square park is 75m. and the length of the rectangular park is 125m, find the breadth of the rectangular park. Also, find the perimeter of rectangular park.



[Watch Video Solution](#)

9. A door of length 2.5 m and breadth 1.5 m is fitted in a wall. The length of wall is 9 m and breadth 6 m. Find the cost of painting the wall, if the rate of painting the wall is Rs. 30 per m^2 .



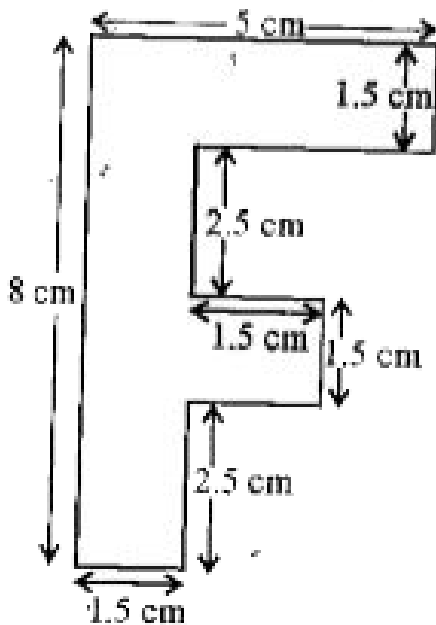
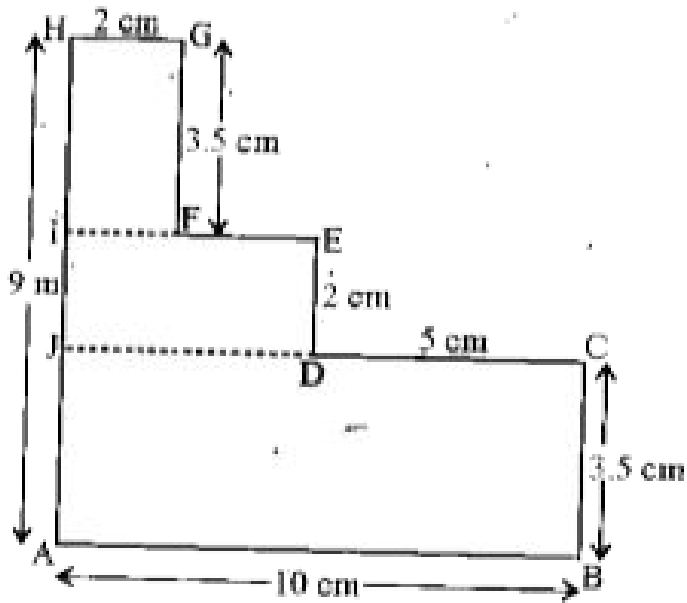
[Watch Video Solution](#)

10. A door of dimensions $3\text{m} \times 2\text{m}$ and a window of dimensions $2.5\text{m} \times 1.5\text{m}$ is fitted in a wall. The length of the wall is 7.8m and breadth is 3.9m . Find the cost of painting the wall, if the rate of painting the wall is Rs. 25 per m^2 .



Watch Video Solution

11. Find the area and the perimeter of the following figures.



Watch Video Solution

Exercise 11 1 Multiple Choice Questions

1. What is the area of a rectangle of dimensions $12\text{cm} \times 10\text{cm}$?

A. 44cm^2

B. 120cm^2

C. 1200cm^2

D. 1440cm^2

Answer: B



Watch Video Solution

2. Find the breadth of a rectangle whose length is 12cm and perimeter is 36cm.

A. 6 cm

B. 3 cm

C. 9 cm

D. 12 cm

Answer: A



3. If each side of a square is 1m then its area is ?

A. 10 cm^2

B. 100cm^2

C. 1000cm^2

D. 10000cm^2

Answer: D



4. Find the area of a square whose perimeter is 96cm.

A. 576cm^2

B. 626cm^2

C. 726cm^2

D. 748cm^2

Answer: A



Watch Video Solution

5. The area of a rectangular sheet is 500 cm^2 .

If the length of the sheet is 25 cm, What is its width ?

A. 30 cm

B. 40 cm

C. 20 cm

D. 25 cm

Answer: C



Watch Video Solution

6. What happens to the area of a square, if its side is doubled ?

A. The area becomes 4 times, the area of original square.

B. The area becomes $\frac{1}{4}$ times, the area of original square.

C. The area becomes 16 times, the area of original square.

D. The area becomes $\frac{1}{6}$ times, the area of original square.

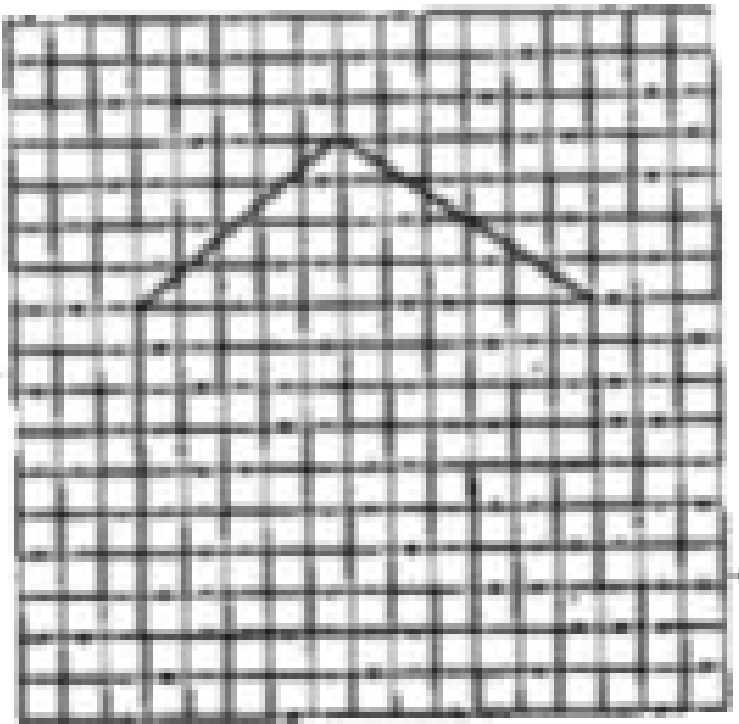
Answer: A



Watch Video Solution

Exercise 11 2

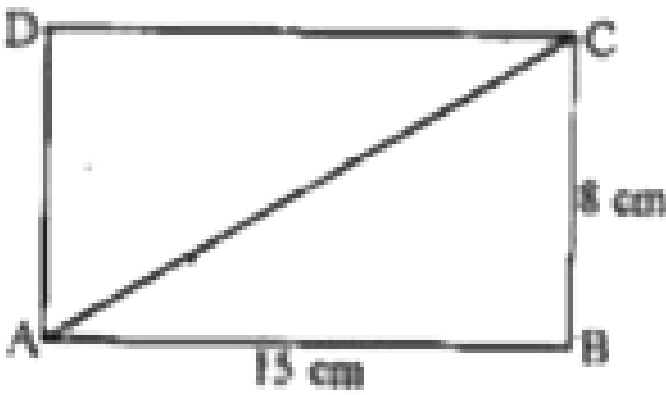
1. Estimate the area of the following figures by counting unit squares



[Watch Video Solution](#)

2. In the following figures find the area of

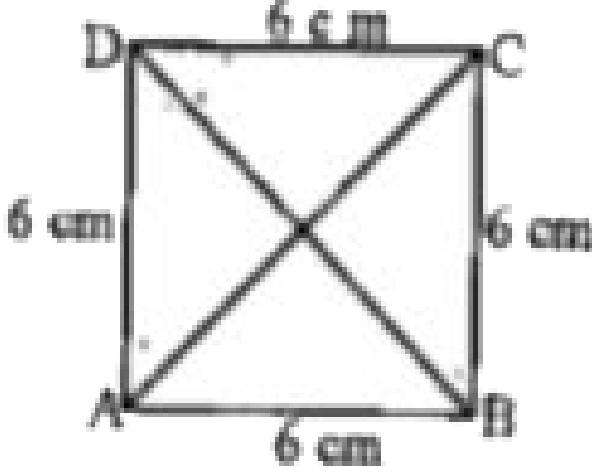
$\triangle ABC$



Watch Video Solution

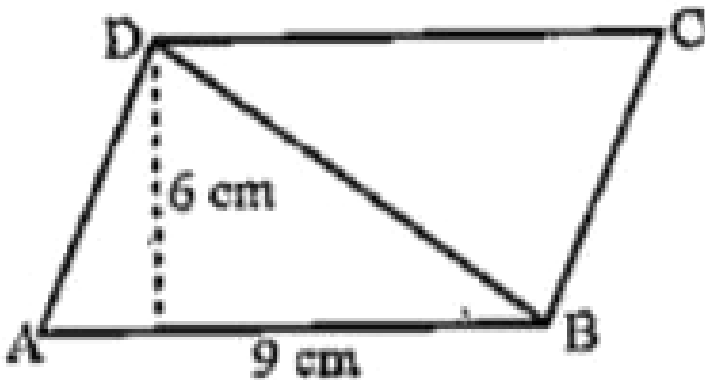
3. In the following figures find the area of

$\triangle COD$



 [Watch Video Solution](#)

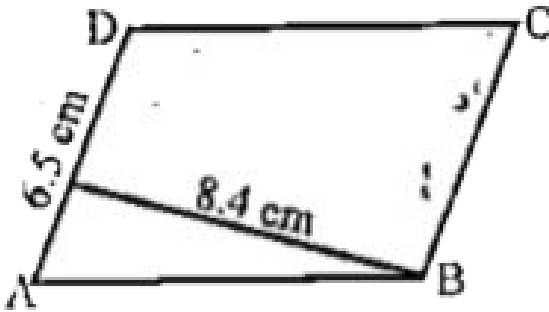
4. Find the area of following parallelograms.





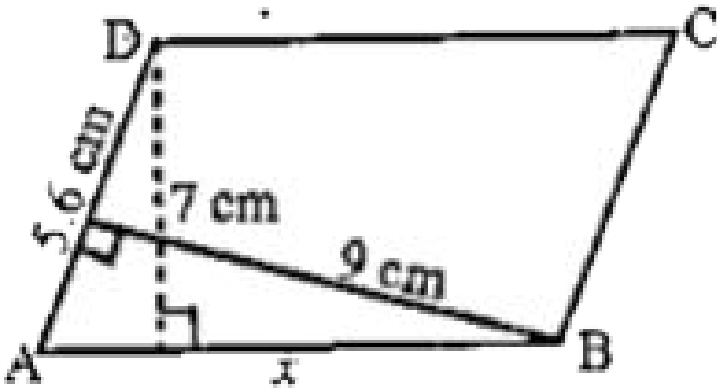
Watch Video Solution

5. Find the area of following parallelograms.



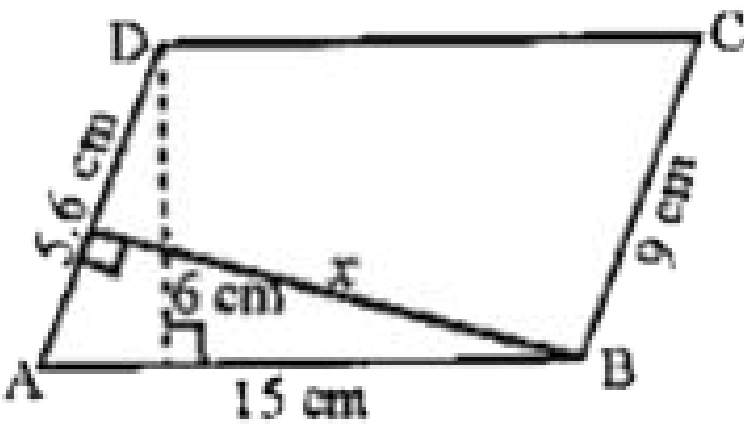
Watch Video Solution

6. Find the value of x in the following parallelograms.



 [Watch Video Solution](#)

7. Find the value of x in the following parallelograms.

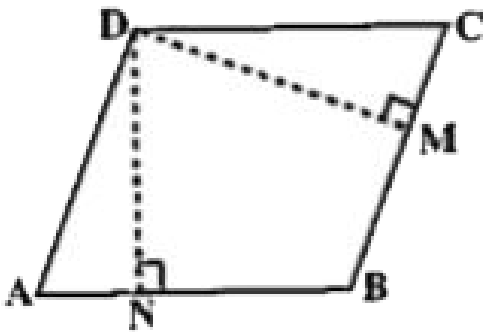


[▶ Watch Video Solution](#)

8. The adjacent sides of a parallelogram are 28cm and 45cm and the altitude on longer side is 18cm. Find the area of parallelogram.

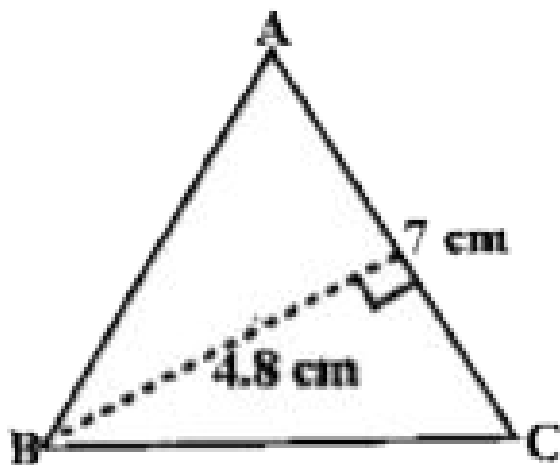
[▶ Watch Video Solution](#)

9. ABCD is a parallelogram given in figure. DN and DM are the altitudes on side AB and CB respectively. If area of the parallelogram is 1225 cm^2 , $AB = 35\text{cm}$ and $CB = 25\text{cm}$, find DN and DM.



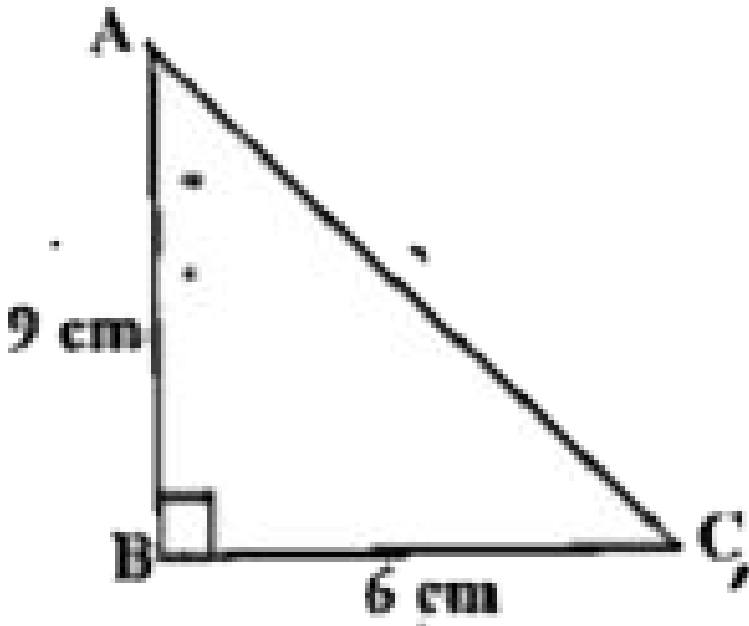
Watch Video Solution

10. Find the area of the following triangles



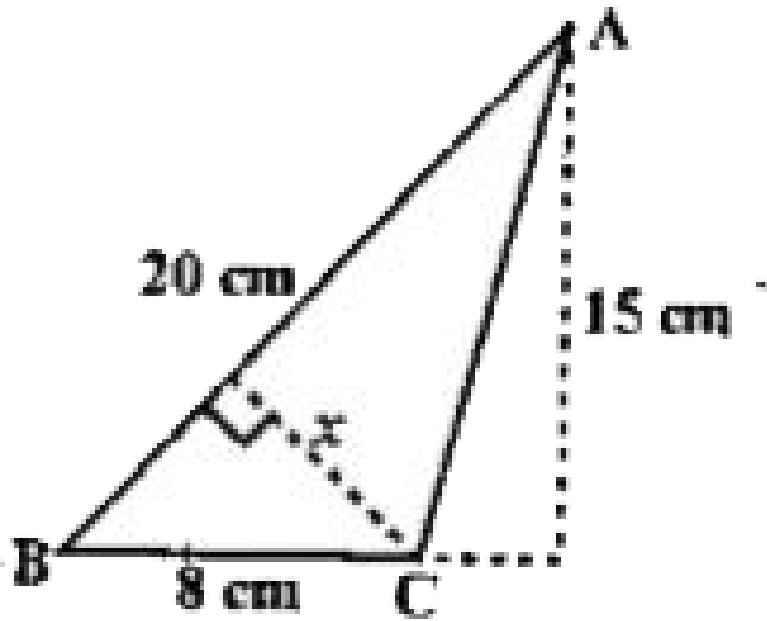
[Watch Video Solution](#)

11. Find the area of the following triangles



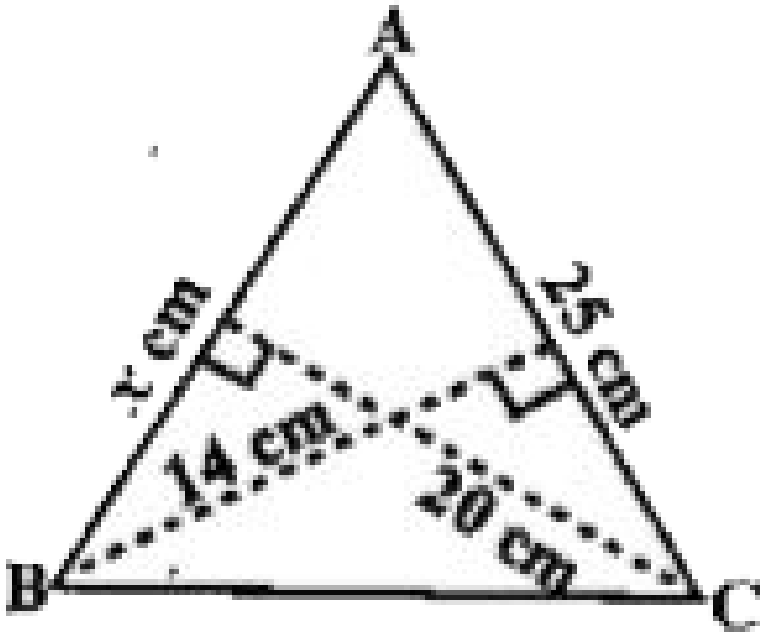
Watch Video Solution

12. Find the value of x in the following triangles.



[Watch Video Solution](#)

13. Find the value of x in the following triangles.



Watch Video Solution

14. Area of a square plot is $2304m^2$. Find the side of the square plot.



[Watch Video Solution](#)

15. $\triangle ABC$ is right angled at A as shown in figure. AD is perpendicular to BC, if $AB = 9\text{cm}$, $BC = 15\text{cm}$ and $AC = 12\text{cm}$. Find the area of $\triangle ABC$, also find the length of AD.



[Watch Video Solution](#)

16. $\triangle ABC$ is isosceles with $AB = AC = 7.5$ cm and $BC = 9$ cm. The height AD from A to BC is 6 cm find the area of $\triangle ABC$ What will be the height from C to AB .i.e, CE ?



[Watch Video Solution](#)

Exercise 11 2 Multiple Choice Questions

1. Find the base of parallelogram whose area is 400 cm^2 and whose height is 8 cm.

A. 1.23cm^2

B. 13.2cm^2

C. 12.3cm^2

D. 1.32cm^2

Answer: C



Watch Video Solution

2. One of the sides and the corresponding height of a parallelogram are 4 cm and 3 cm respectively. Find the area of the

parallelogram



A. 21cm^2

B. 24.5cm^2

C. 21.5cm^2

D. 24cm^2

Answer: B



Watch Video Solution

3. The height of a triangle whose base is 13cm and area is 65cm^2 is.

A. 12 cm

B. 15 cm

C. 10 cm

D. 20 cm

Answer: C



Watch Video Solution

4. Find the area of an isosceles right angled triangle, whose equal sides are of length 40cm each.

A. 400cm^2

B. 200cm^2

C. 600cm^2

D. 800cm^2

Answer: D



Watch Video Solution

5. A field in the form of a parallelogram has sides 60 m and 40 m and one of its diagonals is 80 m long. Find the area of the parallelogram.

A. 1.5 times

B. 2 times

C. 3 times

D. 4 times

Answer: B



Watch Video Solution

6. In a right angled triangle is the longest side.

A. 8 cm

B. 16 cm

C. 24 cm

D. 32 cm

Answer: A



Watch Video Solution

Exercise 11 3

1. Find the circumference of circle whose

Radius (r) = 3.5 cm



[Watch Video Solution](#)

2. Circumference of circle = $2\pi d$



[Watch Video Solution](#)

3. The circumference of a circle of diameter 10cm is



[Watch Video Solution](#)

4. If the circumference of a circular sheet is 176m, find its radius.



[Watch Video Solution](#)

5. A circular disc of diameter 8.4 cm is divided into two parts what is the perimeter of each semicircular part?



[Watch Video Solution](#)

6. Find the area of the circle having
Radius $r = 49$ cm



[Watch Video Solution](#)

7. Find the area of the circle having

Radius $r = 2.8$ cm



[Watch Video Solution](#)

8. Find the area of the circle having

Radius $r = 4.2$ cm



[Watch Video Solution](#)

9. A gardener wants to fence a circular garden of radius 15m. Find the length of wire, if he makes three rounds of fence. Also, find the cost of wire if it costs Rs. 5 per meter (Take $\pi = 3.14$)



[Watch Video Solution](#)

10. Which of the following has larger area and by how much ?

(a) Rectangle with length 15cm and breadth

5.4cm

(b) Circle of diameter 5.6cm.



[Watch Video Solution](#)

11. From a rectangular sheet of length 15cm and breadth 12cm a circle of radius 3.5cm is removed. Find the area of remaining sheet.



[Watch Video Solution](#)

12. From a circular sheet of radius 7cm, a circle of radius 2.1cm is removed, find the area of remaining sheet.



Watch Video Solution

13. Smeep took a wire of length 88cm and bent it into the shape of a circle, find the radius and area of the circle. If the same wire is bent into a square, what will be the side of the square ?
Which figure encloses more area ?





[Watch Video Solution](#)

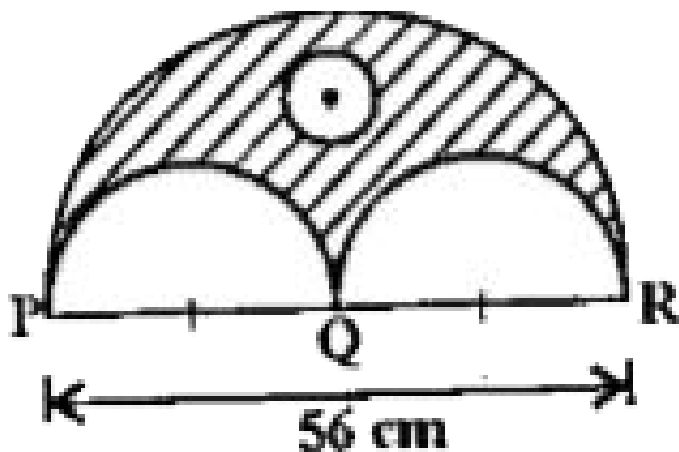
14. A garden is 120m long and 85m broad. Inside the garden, there is a circular pit of diameter 14m. Find the cost of planting the remaining part of the garden at the rate of Rs. 5.50 per square meter.



[Watch Video Solution](#)

15. In the figure $PQ = QR$ and $PR = 56\text{cm}$. The radius of inscribed circle is 7cm. Q is centre of

semi circle. What is the area of shaded region
?



[Watch Video Solution](#)

16. The minute hand of a circular clock is 18 cm long. How far does the tip of minute hand move in one hour ?



Watch Video Solution

Exercise 11 3 Multiple Choice Questions

1. The circumference of a circle of diameter 10cm is

A. 31.4cm

B. 3.14cm

C. 314cm

D. 35.4cm

Answer: A



Watch Video Solution

2. The circumference of a circle with radius 14cm is

A. 88cm

B. 44cm

C. 22cm

D. 85cm

Answer: A



Watch Video Solution

3. What is the area of the circle of radius 7cm ?

A. 49cm

B. $22cm^2$

C. $154cm^2$

D. $308cm^2$

Answer: C



Watch Video Solution

4. Find the diameter of a circle whose area is 154cm^2

A. 4 cm

B. 6 cm

C. 14 cm

D. 12 cm

Answer: C



5. A circle has area 100 times the area of another circle. What is the ratio of their circumferences ?

A. 10:1

B. 1:10

C. 1:1

D. 2:1

Answer: A



Watch Video Solution

6. Diameter of a circular garden is 9.8cm.

Which of the following is its area?

A. 75.46 cm^2

B. 76.46 cm^2

C. 74.4 cm^2

D. 76.4 cm^2

Answer: A



Watch Video Solution

Exercise 11 4

1. A rectangular park is 45 m long and 30 m wide. A path 2.5 m wide is constructed outside the park. Find the area of the path.



[Watch Video Solution](#)

2. A rectangular garden is 110m long and 72m broad. A path of uniform width 8m has to be

constructed around it. Find the cost of gravelling the path at Rs. 11.50 per m^2 .



[Watch Video Solution](#)

3. A room is 12m long and 8m broad. It is surrounded by a verandah, which is 3m wide all around it. Find the cost of flooring the verandah with marble at Rs. 275 per m^2 .



[Watch Video Solution](#)

4. A sheet of paper measures $30\text{cm} \times 24\text{cm}$. A strip of 4cm width is cut from it, all around. Find the area of remaining sheet and also the area of cut out strip.



[Watch Video Solution](#)

5. A path of 2m wide is built along the border inside a square garden of side 40m . Find

(i) The Area of path.

(ii) The cost of planting grass in the remaining

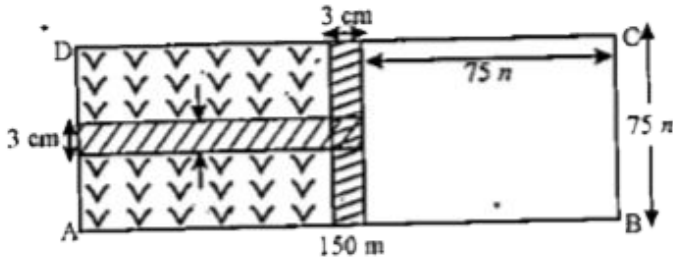
portion of the garden at the rate of Rs. 50 per m^2 .



Watch Video Solution

6. A nursery school play ground is 150m long and 75m wide. A portion of 75m \times 75m is kept for see-saw slides and other park equipments. In the remaining portion 3m wide path parallel to its width and parallel to remaining length (as shown in fig). The remaining area is covered by grass. Find the

area covered by grass.



[Watch Video Solution](#)

7. Two cross roads each of width 8m cut at right angle through the centre of a rectangular park of length 480m and breadth 250m and parallel to its sides. Find the area of roads. Also, find the area of park excluding cross roads.



Watch Video Solution

8. In a rectangular field of length 92m and breadth 70m, two roads are constructed which are parallel to the sides and cut each other at right angles through the centre of field. If the width of each road is 4m, find.

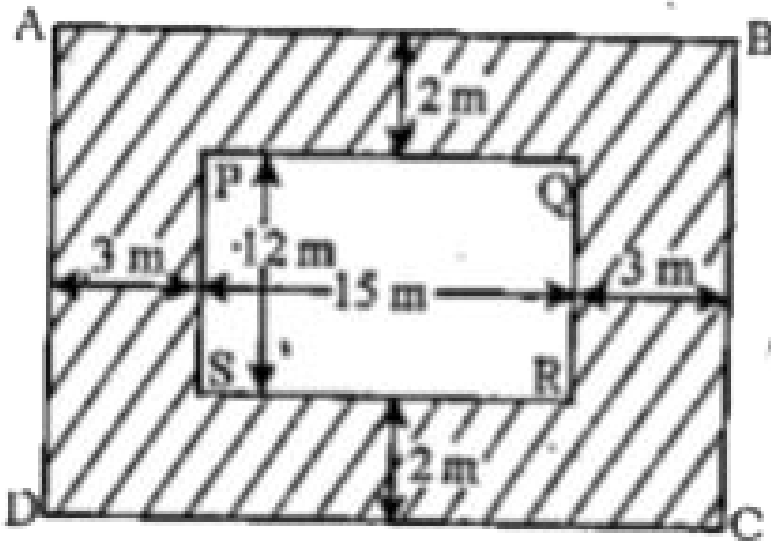
(i) The area covered by roads.

(ii) The cost of constructing the roads at the rate of Rs. 150 per m^2 .



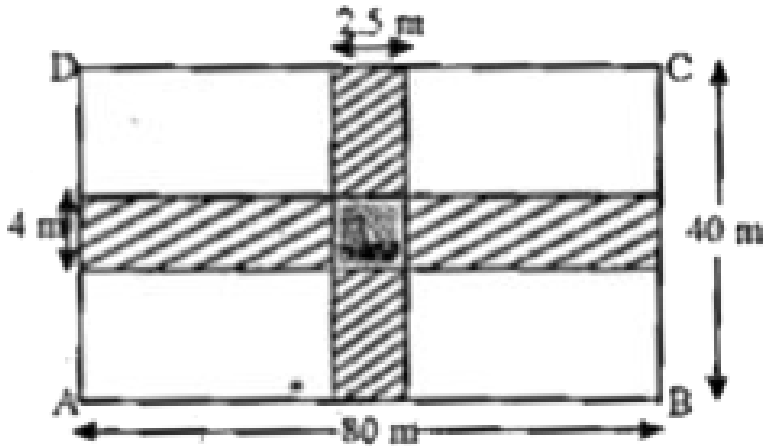
Watch Video Solution

9. Find the area of shaded region of the following figures.



[Watch Video Solution](#)

10. Find the area of shaded region of the following figures.



[Watch Video Solution](#)

Other Important Questions Multiple Choice Questions

1. Which of the following statement is not true?

A. Perimeter of a regular pentagon = $5 \times$
length of one side

B. Perimeter of a square = $4 \times$ side

C. Perimeter of a rectangle = Length \times
Breadth

D. Perimeter of a regular hexagon = $6 \times$
Length of one side

Answer: C



Watch Video Solution

2. Which of the following statement is not true?

A. Area of circle = πr^2

B. Area of parallelogram = $\frac{1}{2}$ (Base \times Height)

C. Area of rectangle = Length \times Breadth.

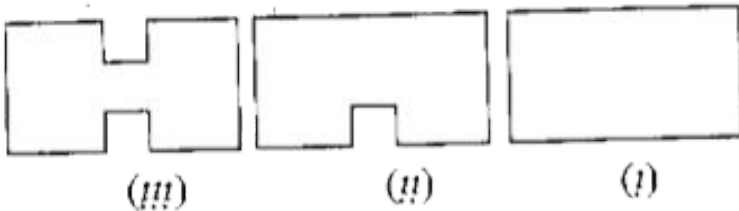
D. Area of square = Side \times Side

Answer: B



Watch Video Solution

3. Which Figure has the greatest perimeter?



A. (i)

B. (ii)

C. (iii)

D. All figures have same perimeter

Answer: C



Watch Video Solution

4. The area of a rectangular sheet is 500 cm^2 .

If the length of the sheet is 25 cm, What is its width ?

A. 25 cm

B. 30 cm

C. 20 cm

D. 40 cm

Answer: C



Watch Video Solution

5. Side of a square park is 80m. What is its area?

A. $320m^2$

B. $20m^2$

C. $6400m^2$

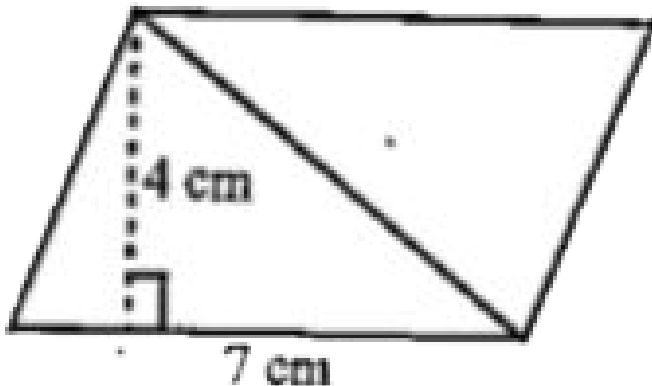
D. $3200m^2$

Answer: C



Watch Video Solution

6. What is area of this parallelogram?



A. 14cm^2

B. 56cm^2

C. 28cm^2

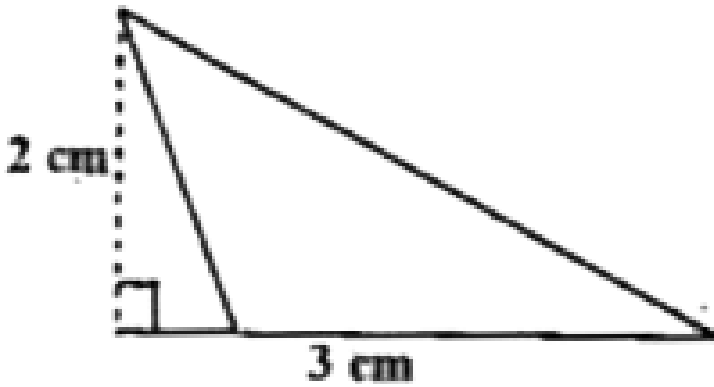
D. 42cm^2

Answer: C



Watch Video Solution

7. What is the area of this triangle ?



A. 6cm^2

B. 12cm^2

C. 3cm^2

D. $\frac{3}{2}\text{cm}^2$

Answer: C



Watch Video Solution

8. $1\text{cm}^2 = \dots\dots\dots \text{mm}^2$

A. 10

B. 10000

C. 1000

D. 100

Answer: D



Watch Video Solution

9. $1m^2 = \dots\dots\dots cm^2$

A. 100

B. 1000

C. 10000

D. 100000

Answer: C



Watch Video Solution

10. 1 Hectare = m^2

A. 1000

B. 10000

C. 100000

D. 1000000

Answer: B



Watch Video Solution

11. Radius of a circle is 28 cm. What is the perimeter?

A. 112 cm

B. 176cm

C. 784 cm

D. 7 cm

Answer: B



Watch Video Solution

Other Important Questions Fill In The Blanks

1. Perimeter of rectangle =



[Watch Video Solution](#)

2. Side of square is 2.5 cm Its area will be



[Watch Video Solution](#)

3. Area of rectangle is 416 m^2 and breadth is 16 m. Its length will be m.



[Watch Video Solution](#)

4. Area of parallelogram=



[Watch Video Solution](#)

5. In a right angled triangle the side opposite to right angle is known as



[Watch Video Solution](#)

6. Circumference of circle=



[Watch Video Solution](#)

7. $1m^2 = \dots\dots\dots cm^2$



[Watch Video Solution](#)

8. $1km = \dots\dots\dots m$



[Watch Video Solution](#)

9. Area of circle =



[Watch Video Solution](#)

10. Radius =.....



[Watch Video Solution](#)

[Other Important Questions True Or False](#)

1. The area of a square having side 'a' is $4a$ square units.



[Watch Video Solution](#)

2. The area of a rectangular plot is 462 m^2 . If its breadth is 21m then its length will be 24 m.



[Watch Video Solution](#)

3. Side of a square is 1m, its area will be 2m^2 .





[Watch Video Solution](#)

4. Area of parallelogram = $\frac{1}{2} \times \text{Base} \times$
height



[Watch Video Solution](#)

5. An equilateral triangle has all sides of
different length.



[Watch Video Solution](#)

6. Line segment joining any two points on circumference of circle is called chord.



[Watch Video Solution](#)

7. Side of square = $\sqrt{\text{Area}}$



[Watch Video Solution](#)

8. Circumference of circle = $2\pi d$



[Watch Video Solution](#)

