



MATHS

BOOKS - NAVNEET PUBLICATION

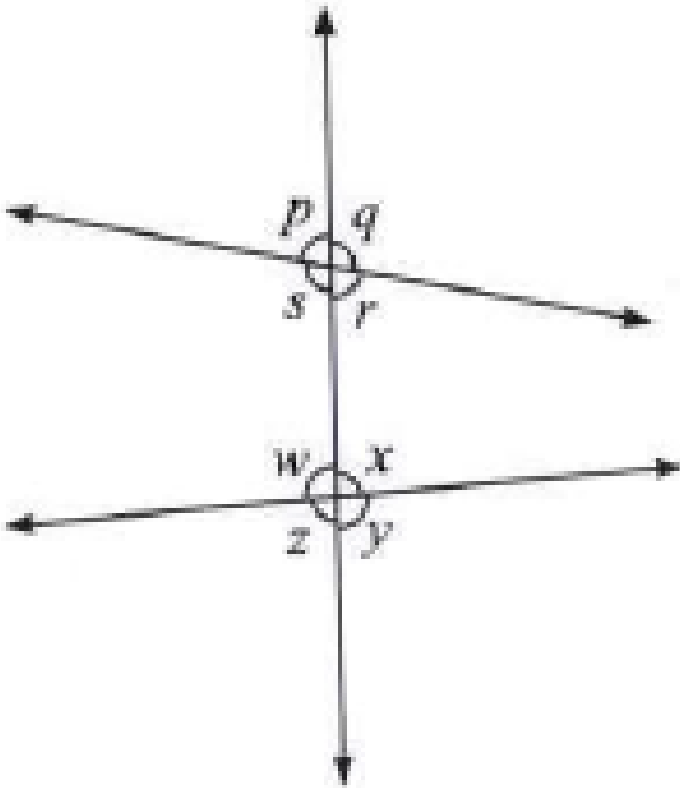
PARALLEL LINES AND TRANSVERSALS

Question Bank

1. In the figure, each angle is shown by a letter.

Fill in the boxes with the help of the figure.

Corresponding angles: $\angle p$ and \square

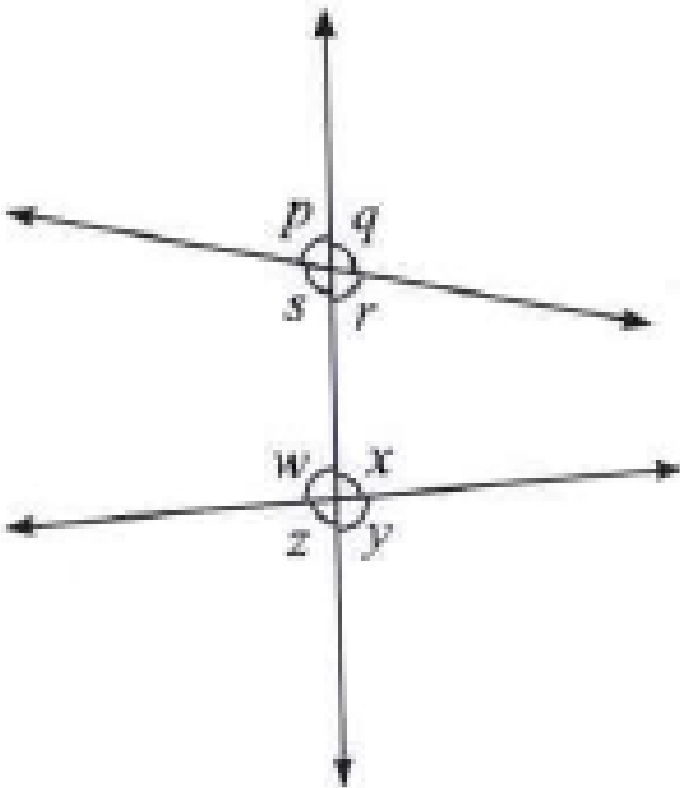


Watch Video Solution

2. In the figure, each angle is shown by a letter.

Fill in the boxes with the help of the figure.

Corresponding angles: $\angle q$ and \square



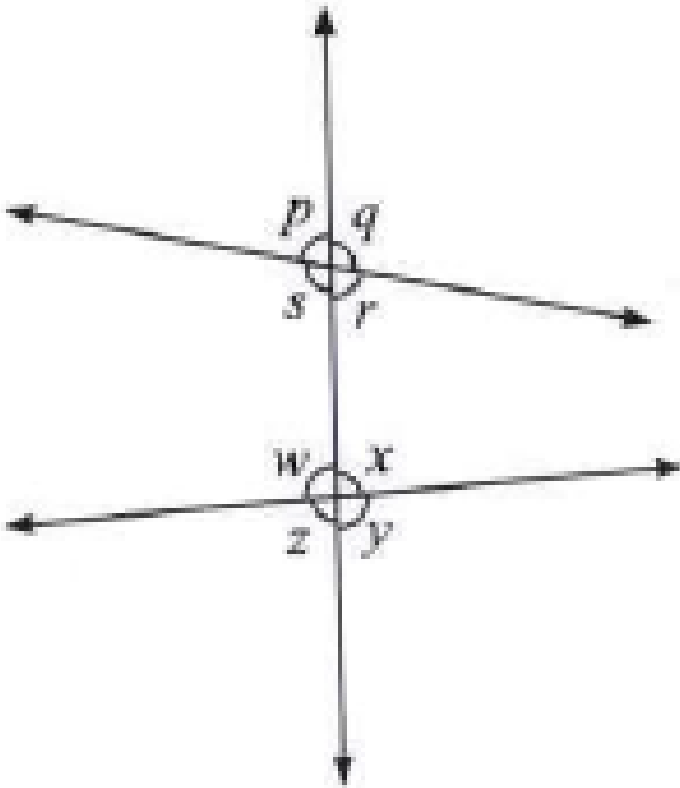


Watch Video Solution

3. In the figure, each angle is shown by a letter.

Fill in the boxes with the help of the figure.

Corresponding angles: $\angle r$ and \square

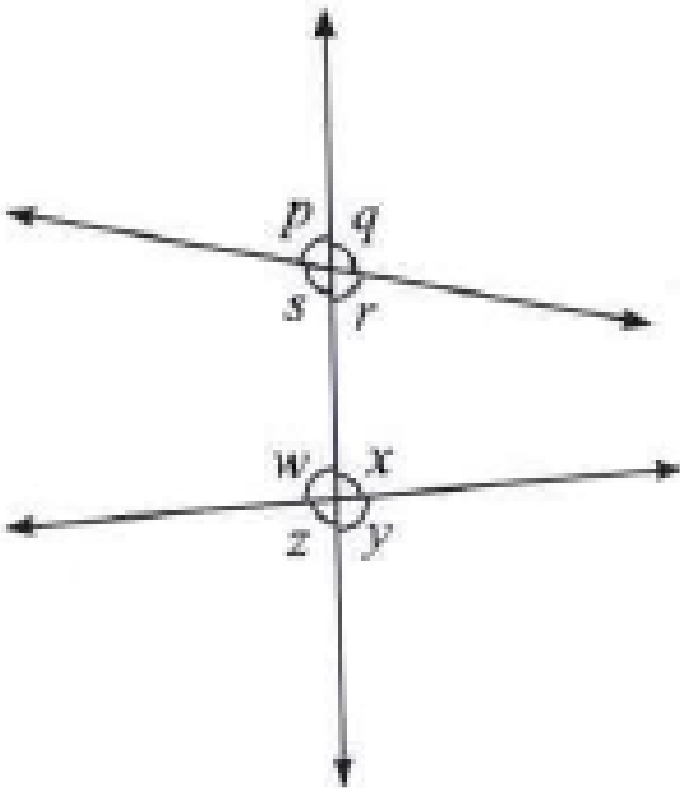


Watch Video Solution

4. In the figure, each angle is shown by a letter.

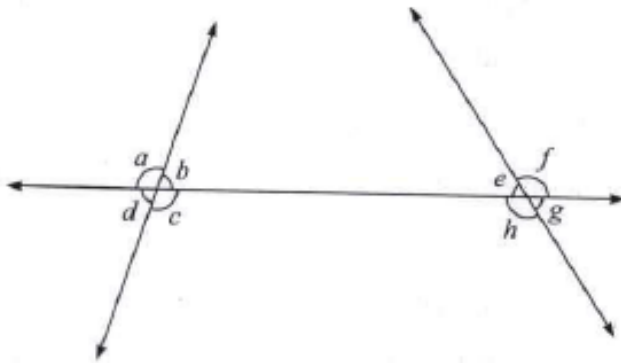
Fill in the boxes with the help of the figure.

Corresponding angles: $\angle s$ and \square



 Watch Video Solution

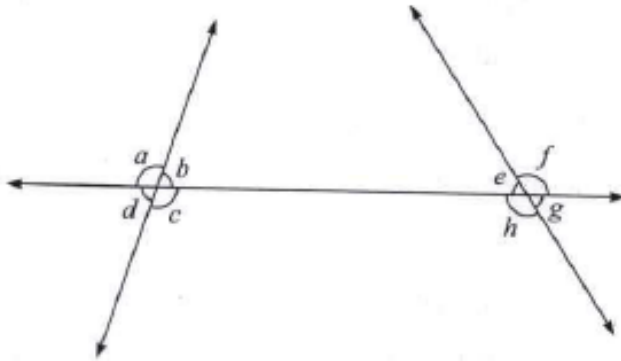
5. Observe the angles in the figure and write the following pair of angles.



interior alternate angles

 Watch Video Solution

6. Observe the angles in the figure and write the following pair of angles.



Interior angles.

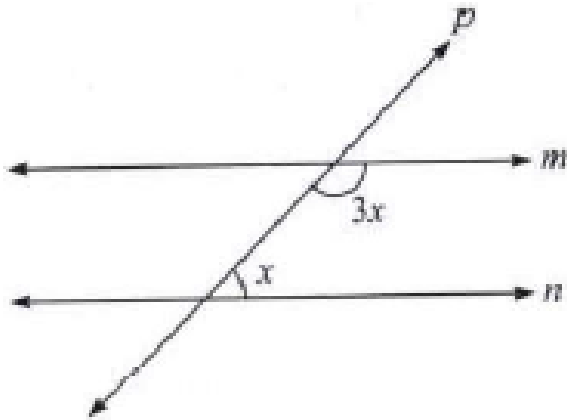


[Watch Video Solution](#)

7. Choose the correct alternative :

In the given , if line $m \parallel$ line n and line p is

a transversal, then find x .



A. 135°

B. 90°

C. 45°

D. 40°

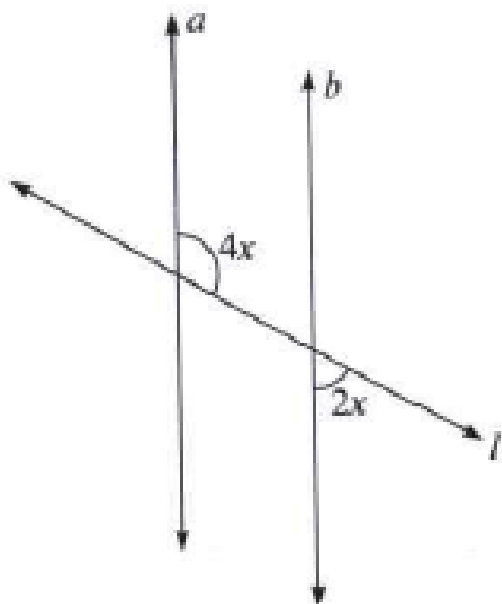
Answer: C



Watch Video Solution

8. Choose the correct alternative :

In the given , if line $a \parallel$ line b and line l is a transversal. Then find x .



A. 90°

B. 60°

C. 45°

D. 30°

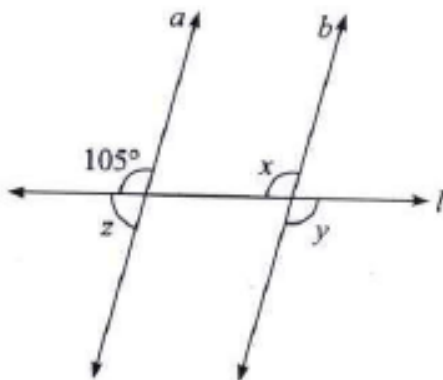
Answer: D



Watch Video Solution

9. In the given figure, line $a \parallel$ line b . Line l is a transversal. Find the measures of $\angle x$, $\angle y$, $\angle z$

using the given information.

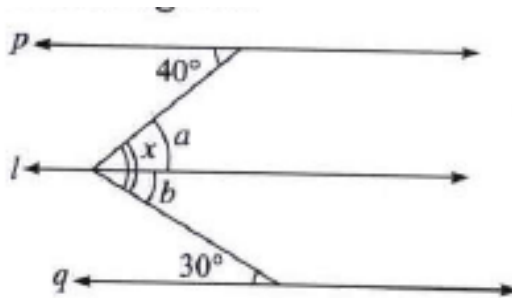


[Watch Video Solution](#)

10. In the given figure, line $p \parallel$ line $l \parallel$ line q .

Find $\angle x$ with the help of the measures given

in the figure.



[Watch Video Solution](#)

11. Draw a line l . Take a point A outside the line.

Through point A draw a line parallel to line l



[Watch Video Solution](#)

12. Draw a line l . Take a point T outside the line.

Through point T draw a line parallel to line l .



Watch Video Solution

13. Draw a line m . Draw a line n which is parallel to line m at a distance of 4 cm from it.



Watch Video Solution

14. If the arms on the transversal of a pair of angles are in the same direction and the other arms on the same side of the transversal, then it is called a pair of Angles.

- A. Corresponding
- B. Interior
- C. Interior alternate
- D. Exterior alternate

Answer: A



Watch Video Solution

15. When two parallel lines are intersected by a transversal ,..... Angles are formed.

A. four

B. two

C. eight

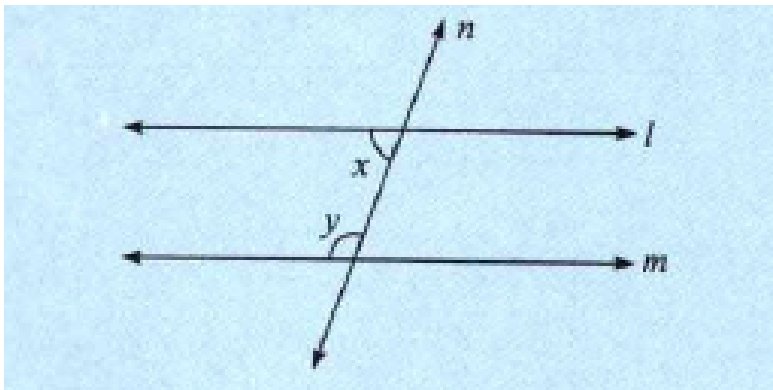
D. six

Answer: C



Watch Video Solution

16. In the figure, the value of x is 70° then what should be the value of y in order to get line $l \parallel$ line m ?



- A. 70°
- B. 110°
- C. 20°

D. 90°

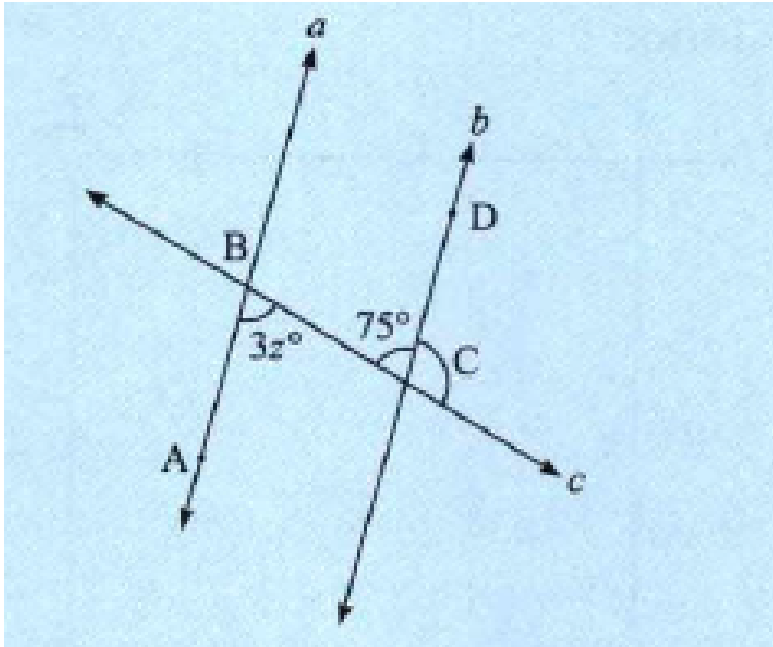
Answer: B



Watch Video Solution

17. In the figure, line $a \parallel$ line b and line c is the transversal $\angle ABC = 3z^\circ$ and $\angle BCD = 75^\circ$

then value of z is



A. 25°

B. 75°

C. 50°

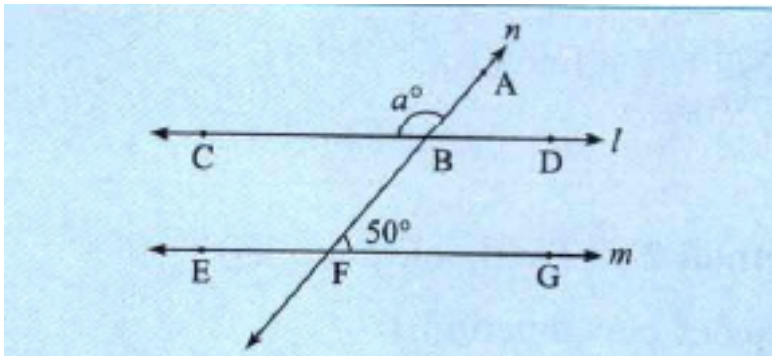
D. 15°

Answer: A



Watch Video Solution

18. In the figure, line $l \parallel$ line m and line n is the transversal, if $\angle ABC = a^\circ$ and $\angle BFG = 50^\circ$ then the value of a is



A. 50

B. 40

C. 150

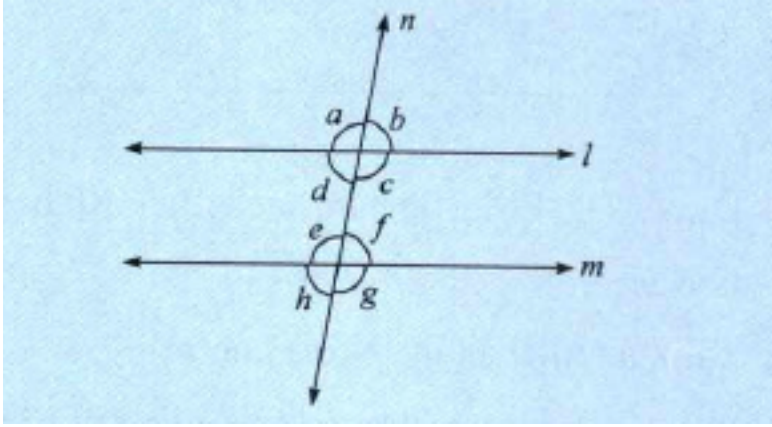
D. 130

Answer: D



Watch Video Solution

19. In the figure, lines l and m are coplanar line n is the transversal, then answer the following question:

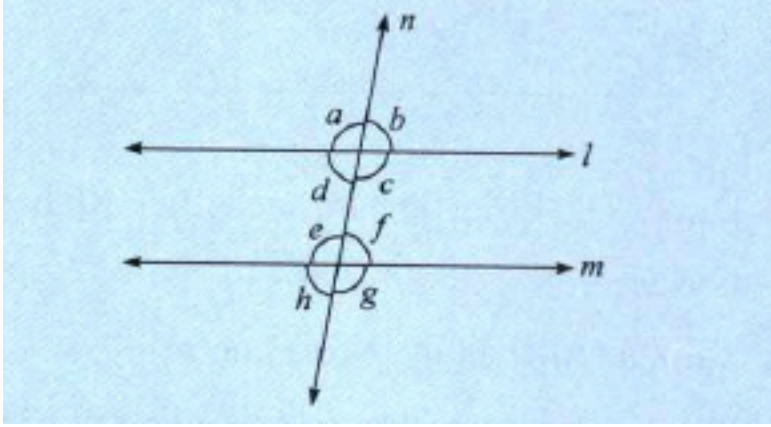


Name the angle corresponding to $\angle d$



[Watch Video Solution](#)

20. In the figure, lines l and m are coplanar line n is the transversal, then answer the following question:

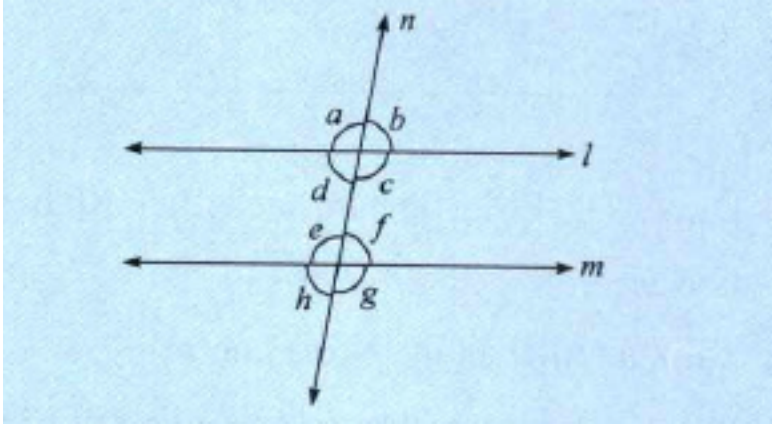


Name the angle which is interior alternate pair to $\angle c$



[Watch Video Solution](#)

21. In the figure, lines l and m are coplanar line n is the transversal, then answer the following question:



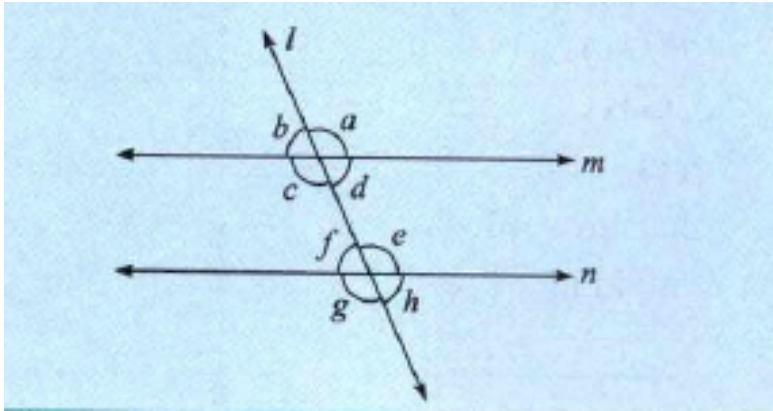
Name the angle which is exterior alternate pair to $\angle a$



[Watch Video Solution](#)

22. In the figure, line $m \parallel$ line n and line l is a transversal . If $m\angle b = (x + 15)^\circ$ and

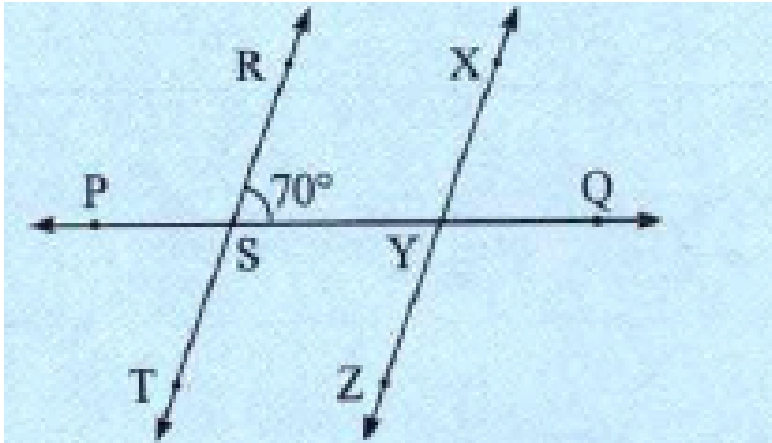
$m\angle e = (2x + 15)^\circ$, then find the value of x .



[Watch Video Solution](#)

23. In the figure, line RT is parallel to line XZ and line PQ is the transversal. If $m\angle RSY = 70^\circ$, then find $m\angle SYZ$ and

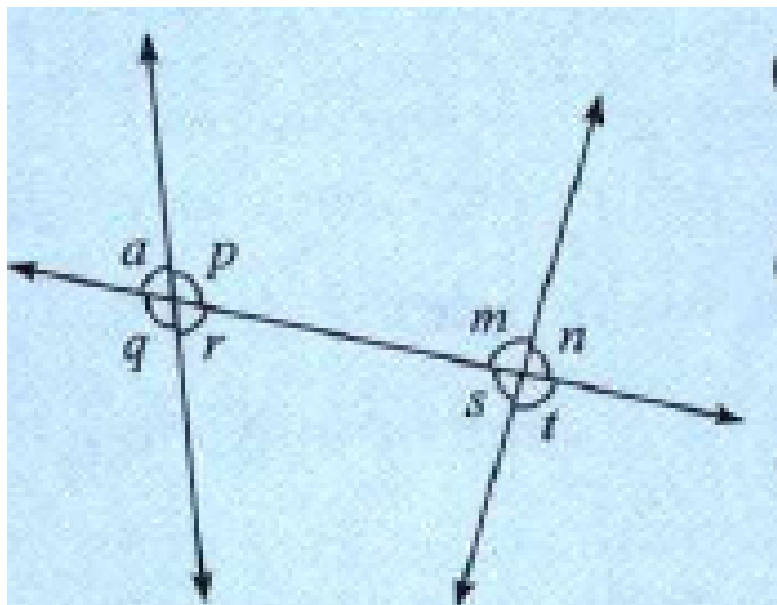
$m\angle ZYQ$.



[Watch Video Solution](#)

24. Observe the figure and write the following pair of angles

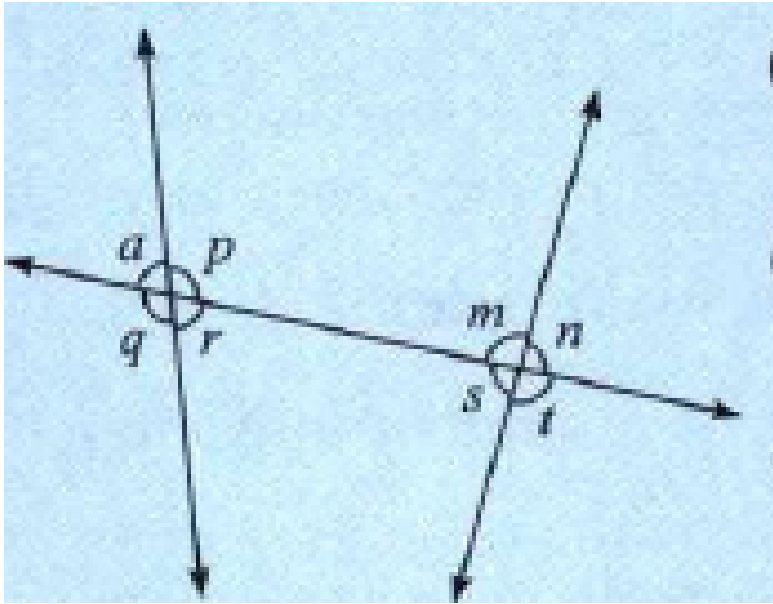
Corresponding angles.



[Watch Video Solution](#)

25. Observe the figure and write the following pair of angles

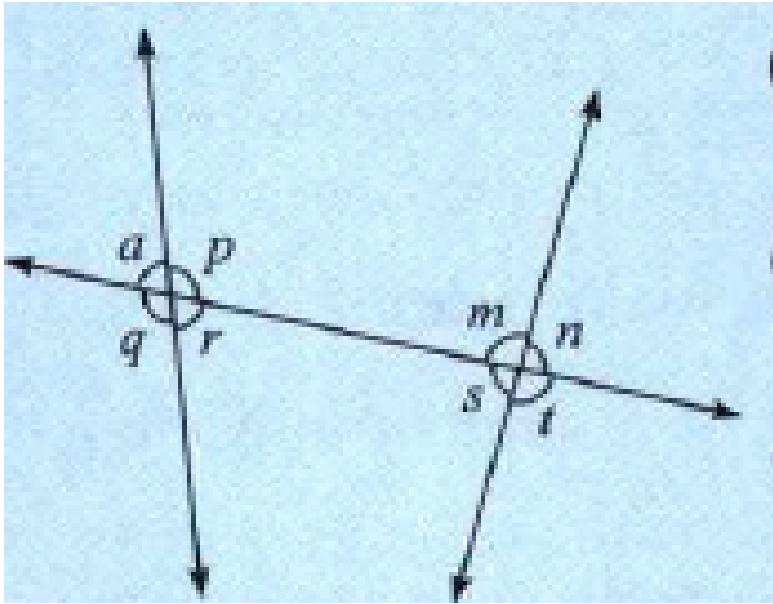
Interior alternate angles



[View Text Solution](#)

26. Observe the figure and write the following pair of angles

Interior angles



[View Text Solution](#)

27. In the figure, line $p \parallel$ line q and line r is the transversal. Find the values of $\angle a$, $\angle b$ and $\angle c$

using the given information.



[View Text Solution](#)

28. Draw a line l . Take a point A outside it. Using set square, draw line p parallel to line l passing through A . (Do not write the steps of construction)



[Watch Video Solution](#)

29. Draw a line m . Draw a line l which is parallel to line m at a distance of 5.5 cm from it.



Watch Video Solution

30. Draw a line l . How many lines can be drawn parallel to line l at a distance of 4.2 cm from it?
? Using set square, draw the lines.



Watch Video Solution

31. In the figure , line AC is parallel to line DF and line GH is the transversal. If $\angle GBC = 55^\circ$ then find the measures of the remaining angles.



[View Text Solution](#)