



# BIOLOGY

## BOOKS - ICSE

### CELL:THE UNIT OF LIFE

#### Topic 1 1 Mark Questions

1. The cell is the basic structural and functional unit of .....



**Watch Video Solution**

2. What is a single cell called from which life of all organisms start?



[Watch Video Solution](#)

3. Who discovered a cell?



[Watch Video Solution](#)

4. Name the scientist who modified the cell theory given by Schleiden and Schwann.



[Watch Video Solution](#)

5. All cell arise from \_\_\_\_\_ cells.



[Watch Video Solution](#)

6. To which of the substance does Robert Hooke sees the resemblance of slice of the

cork from a tree?



[Watch Video Solution](#)

## Topic 1 2 Marks Questions

1. Who proposed the cell theory and when?



[Watch Video Solution](#)

2. When and who proposed the theory that "cells arise only from pre-existing cells" ?



[Watch Video Solution](#)

3. What is a cell ?



[Watch Video Solution](#)

## Topic 1 3 Marks Questions

1. Why is cell called as the basic unit of life?



[Watch Video Solution](#)

2. Give an example of Single-celled organism



**Watch Video Solution**

3. Give an example of Few-celled or colonial organism



**Watch Video Solution**

4. Give an example of Multi-celled organism



**Watch Video Solution**

## Topic 1 5 Marks Questions

1. What is the cell theory? Who propounded it and when?



[Watch Video Solution](#)

2. Mention differences between a living cell and a brick in a wall.



[Watch Video Solution](#)

## Topic 2 1 Mark Questions

1. The cell organelle that helps in respiration of the cell is :

A. Mitochondria

B. Lysosome

C. Ribosome

D. Centrosome

**Answer: A**





Watch Video Solution

2. The barrier between the protoplasm and the outer environment in a plant cell is :

A. Nuclear membrane

B. Plasma membrane

C. Tonoplast

D. Cell wall

**Answer: D**



 [Watch Video Solution](#)

3. Mention the exact location of the nucleolus.

 [Watch Video Solution](#)

4. What is the total substance of a living cell called?

 [Watch Video Solution](#)

5. Name a small region that contains two centrioles and is present near the nucleus in an animal cell.



[Watch Video Solution](#)

6. Which cell organelle controls most of the activities of a cell?



[Watch Video Solution](#)

7. Which cell organelle provides supporting skeletal framework to cell ?



[Watch Video Solution](#)

8. Name any two non-living parts of a cell.



[Watch Video Solution](#)

**Topic 2 2 Marks Questions**

1. What is a cell sap ?



[Watch Video Solution](#)

2. What is the function of leucoplast and chromoplast ?



[Watch Video Solution](#)

3. What is the main function of golgi bodies?



[Watch Video Solution](#)

4. Name any two non-living parts of a cell.



[Watch Video Solution](#)

## Topic 2 3 Marks Questions

1. Protoplasm cannot be analysed chemically.

Explain.



[Watch Video Solution](#)

2. Why are mitochondria known as "the powerhouse of the cell"?



**Watch Video Solution**

3. What is the importance of a vacuole in a plant cell?



**Watch Video Solution**

4. What are three functional region of a cell?





[Watch Video Solution](#)

## Topic 2 5 Marks Questions

1. Name the cell organelles concerned with  
Secretion of enzymes



[Watch Video Solution](#)

2. Name the cell organelles concerned with  
Trapping of solar energy





 [Watch Video Solution](#)

**3.** Name the cell organelles concerned with the following functions.

1. Production of energy
2. Protein synthesis



[Watch Video Solution](#)

**4.** Name the cell organelles concerned with Intracellular digestion



[Watch Video Solution](#)

5. Name the cell organelles concerned with  
Production of ATP



[Watch Video Solution](#)

6. Name the part of the cell concerned with  
the following ?

Liberation of energy



[Watch Video Solution](#)

7. Name the cell organelles concerned with the following functions.

1. Production of energy

2. Protein synthesis



**Watch Video Solution**

8. Name the structure that transmits characteristics from parents to offspring.



**Watch Video Solution**

**9.** Name the part of the cell concerned with the following ?

Initiation of cell division



**Watch Video Solution**

**10.** Name the part of the cell concerned with the following ?

Hydrolytic in function



**Watch Video Solution**

**11.** Name the part of the cell concerned with the following ?

Entry of only certain substances into and out of the cell.



**Watch Video Solution**

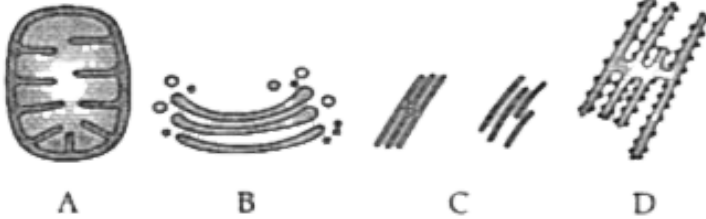
**12.** What is the protoplasm. What are its elements ?



**Watch Video Solution**

**13.** Given below are four structure. Study the same and answer the questions given below:

and answer the questions given below :



Name the structures labelled as A, B, C, and D.



[Watch Video Solution](#)

**14.** Given below are four structure. Study the same and answer the questions given below:

and answer the questions given below :



A



B



C



D

Name the special finger-like projection present in structure .A..



[Watch Video Solution](#)

**15.** Given below are four structure. Study the same and answer the questions given below:

and answer the questions given below :



A



B



C



D

Structure B is formed from which organelle?



Watch Video Solution

16. Given below are four structure. Study the same and answer the questions given below:

and answer the questions given below :



A



B



C



D



Does structure .D. get attached to structure .C.?



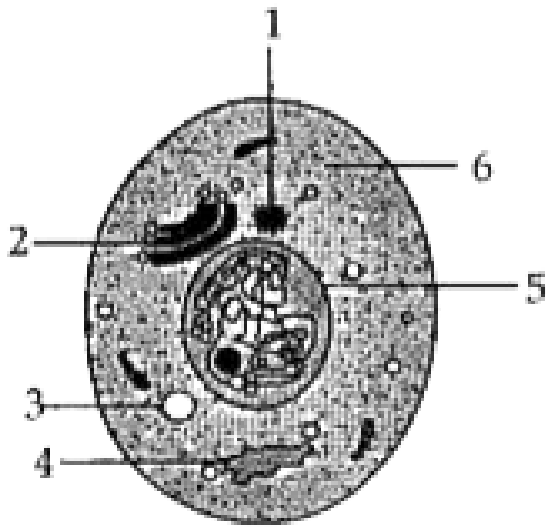
**Watch Video Solution**

**17.** Lysosomes function as the digestive system of the cell. Explain



**Watch Video Solution**

**18.** Study the diagram and answer the questions that follow:

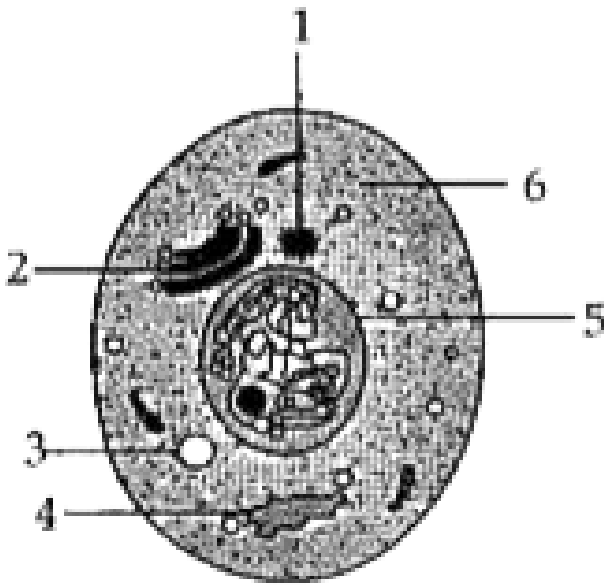


Label the parts 1 - 4.



[Watch Video Solution](#)

**19.** Study the diagram and answer the questions that follow:



Give the function of parts .5. and .6..



[Watch Video Solution](#)

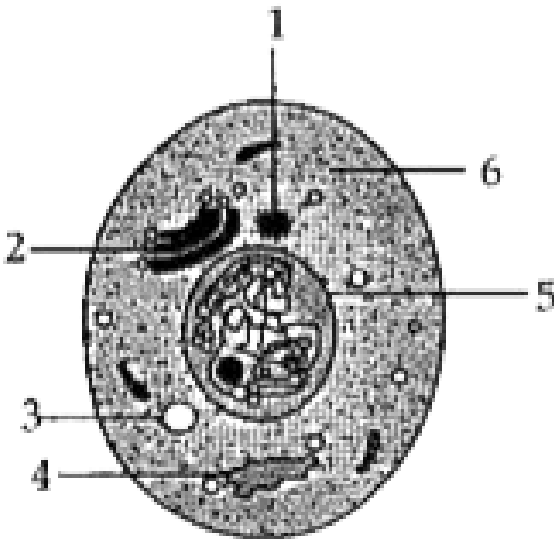
20. Name the organelle which is referred as suicidal bag .





Watch Video Solution

21. Study the diagram and answer the questions that follow:

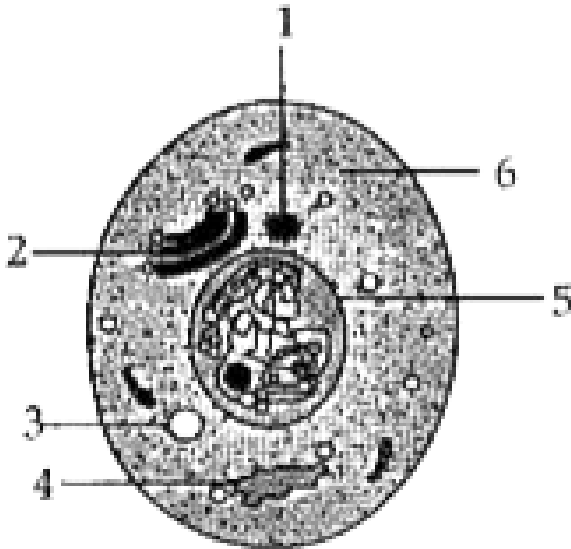


Name the hereditary material found in part .5..



Watch Video Solution

22. Study the diagram and answer the questions that follow:



State the composition of part .6..



**Watch Video Solution**

## Topic 3 1 Mark Questions

1. Which one of the following is found both in the cells of a mango plant and a monkey.

- A. Chloroplast
- B. Centrioles
- C. Cell wall
- D. Cell membrane

**Answer: D**



**Watch Video Solution**

2. A plant cell can be identified from an animal cell by the :

- A. absence of centrosome
- B. presence of cell membrane
- C. presence of vacuoles
- D. none of the above

**Answer: B**



**Watch Video Solution**

3. Name the hereditary material of the cell containing genetic information that is made up of DNA and protein.



[Watch Video Solution](#)

4. What is the outermost layer of an animal cell?



[Watch Video Solution](#)



5. What is the outermost layer of a plant cell?



[Watch Video Solution](#)

## Topic 3 2 Mark Questions

1. Differentiate between  
an organ and an organelle



[Watch Video Solution](#)

**2. Differentiate between**

a plant cell and an animal cell pertaining to the presence of plastids.



**Watch Video Solution**

**3. Write two examples of prokaryotic cells.**



**Watch Video Solution**

4. Name two structures found in animal cell but not in plant cell.



[Watch Video Solution](#)

5. Name two structures found in plant cell but not in animal cell.



[Watch Video Solution](#)

6. What is a nucleoid?



[Watch Video Solution](#)

7. What is the different type of cells on the basis of nuclear material found inside?



[Watch Video Solution](#)

## Topic 3 3 Mark Questions

1. State the characteristics of prokaryotic cells.



[Watch Video Solution](#)

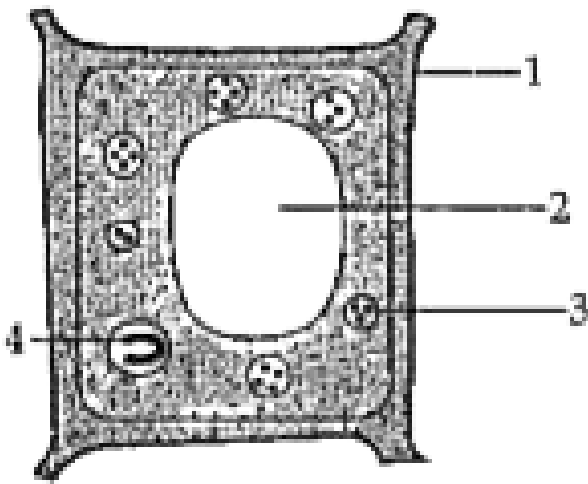
2. Draw a labelled diagram of a prokaryotic cell.



[Watch Video Solution](#)

## Topic 3 5 Mark Questions

1. Study the diagram given below and answer the questions that follow :

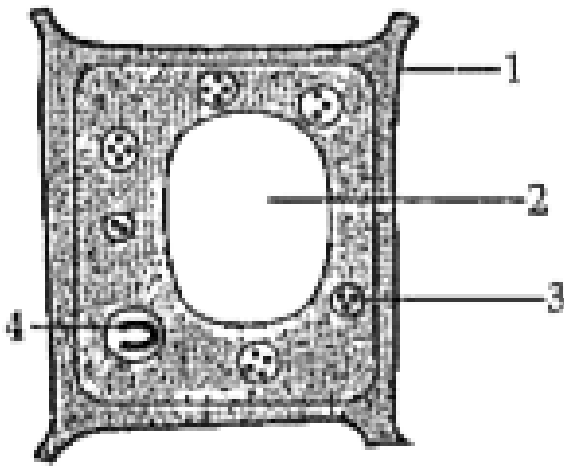


Label the parts 1 and 2.



[Watch Video Solution](#)

2. Study the diagram given below and answer the questions that follow :

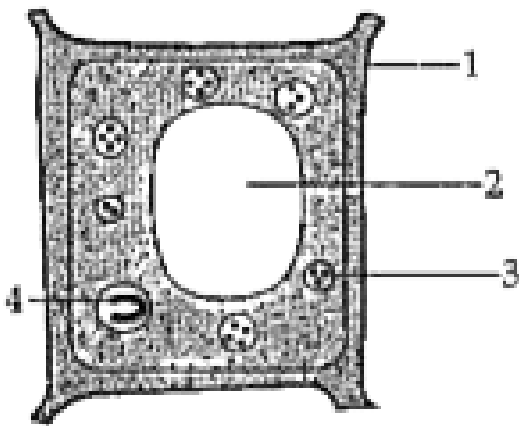


Is the given structure-an animal cell or a plant cell? Give reason in support of your answer.



[Watch Video Solution](#)

3. Study the diagram given below and answer the questions that follow :

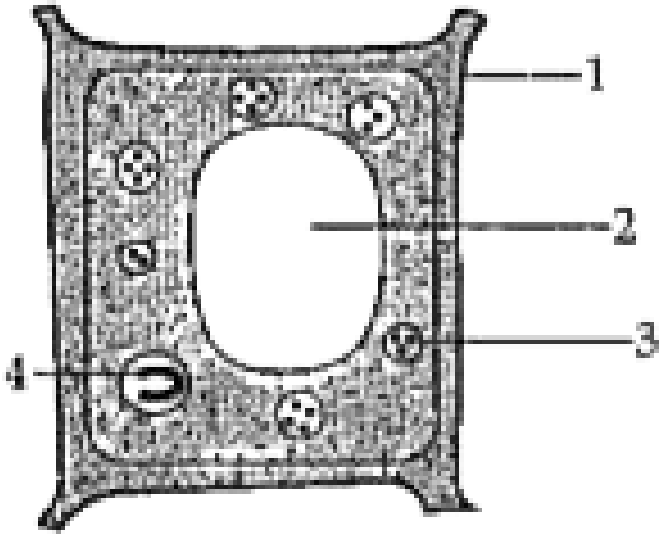


State the purpose of part labelled as 4.

 [Watch Video Solution](#)

4. Study the diagram given below and answer the questions that follow :





Name the structure where photosynthesis takes place

 [Watch Video Solution](#)

5. Name the chemical molecule that carries heredity from parent to offspring .



[Watch Video Solution](#)

6. Differentiate between Plant cells and animal cells



[Watch Video Solution](#)

7. Draw a neat and labelled diagram of a plant cell.



[Watch Video Solution](#)

**8.** Based on the diagram drawn above in (i) give a suitable term for each of the following descriptions:

The site of protein synthesis.



**Watch Video Solution**

**9.** Based on the diagram drawn above in (i) give a suitable term for each of the following descriptions:

A cell organelle that is absent in a plant cell.



**Watch Video Solution**

**10.** Based on the diagram drawn above in (i) give a suitable term for each of the following descriptions:

The supporting frame work of the cell



**Watch Video Solution**

**11.** Based on the diagram drawn above in (i) give a suitable term for each of the following descriptions:

The plastids that contain DNA and have the capacity to divide.



[Watch Video Solution](#)

**12.** Based on the diagram drawn above in (i) give a suitable term for each of the following descriptions:

The structures that carry the hereditary units.



[Watch Video Solution](#)

**13.** Based on the diagram drawn above in (i) give a suitable term for each of the following descriptions:

The cell organelle that regulates all the metabolic functions.



**Watch Video Solution**

**14.** Based on the diagram drawn above in (i) give a suitable term for each of the following

descriptions:

The structure that is semipermeable in nature.



**Watch Video Solution**