



# BIOLOGY

## BOOKS - ICSE

# STRUCTURE AND FUNCTION OF SKIN

### Topic 1 1 Mark Questions

1. A fibrous structural protein found in stratum corneum is:

A. Melanin

B. Keratin

C. Albumin

D. Pepsin

**Answer: B**



**Watch Video Solution**

**2. The epidermis is highly thickened in:**

A. Cheek

B. Palm

C. Thigh

D. Lip

**Answer: B**



**Watch Video Solution**

**3.** Choose the ODD one out from the following terms given and name the CATEGORY to which the others belong:

Nail body, Lunula, Cuticle, Nail root, Papilla



[Watch Video Solution](#)

4. Name two abnormal conditions of skin pigmentation.



[Watch Video Solution](#)

5. Name the outer thinner and inner thicker layers of the skin.



[Watch Video Solution](#)

6. Name the outermost layer of the epidermis.



[Watch Video Solution](#)

## Topic 1 2 Marks Questions

1. Mention two functions of human skin



[Watch Video Solution](#)

2. Differentiate between the following pairs on the basis of what is given in the brackets:

Leucoderma and Albinism (Type of disorder)



[Watch Video Solution](#)

3. Differentiate between the following pairs on the basis of what is given in the brackets:

Cornified layer and Granular layer (Function)



[Watch Video Solution](#)

4. Mention the exact location : Malpighian layer



[Watch Video Solution](#)

5. Mention the exact location : Granular layer



[Watch Video Solution](#)

6. Mention the exact location : Papillary region



[Watch Video Solution](#)

7. Given below are sets of five terms each. Rewrite the terms in correct order in a logical sequence beginning with the term that is underlined.

Subcutaneous layer, Hair shaft, Epidermis, Papillae, Dermis



[Watch Video Solution](#)

8. Given below are sets of five terms each. Rewrite the terms in correct order in a logical



sequence beginning with the term that is underlined.

Hair shaft, Epidermis, Subcutaneous layer,  
Papillae, Dermis



[Watch Video Solution](#)

9. Give appropriate biological / technical terms for the following:

Pigment responsible for skin colour.



[Watch Video Solution](#)

**10.** Give appropriate biological / technical terms for the following:

Finger like projections on the surface of the dermis.



**Watch Video Solution**

## Topic 1 3 Marks Questions

**1.** List any four ways in which the skin serves as a protective layer for our body.



 [Watch Video Solution](#)

2. What are the different structures found in the epidermis?



[Watch Video Solution](#)

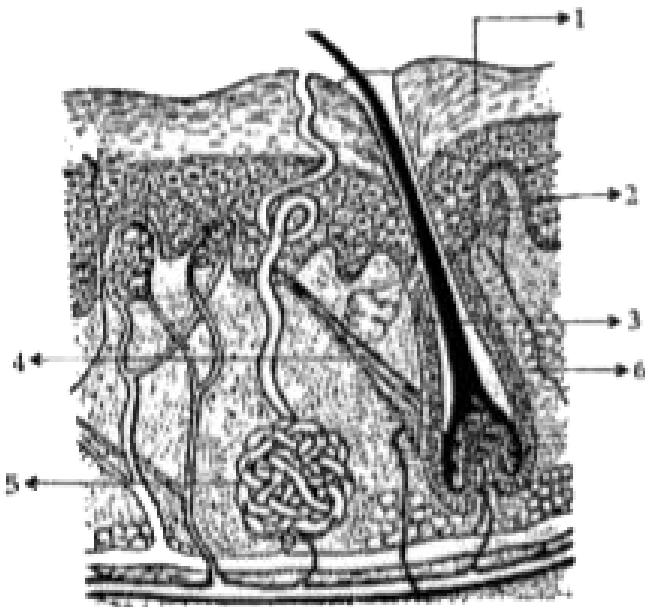
3. What are the functions of cornified layer or stratum corneum?



[Watch Video Solution](#)

# Topic 1 5 Marks Questions

1. Study the diagram and answer the questions that follow :

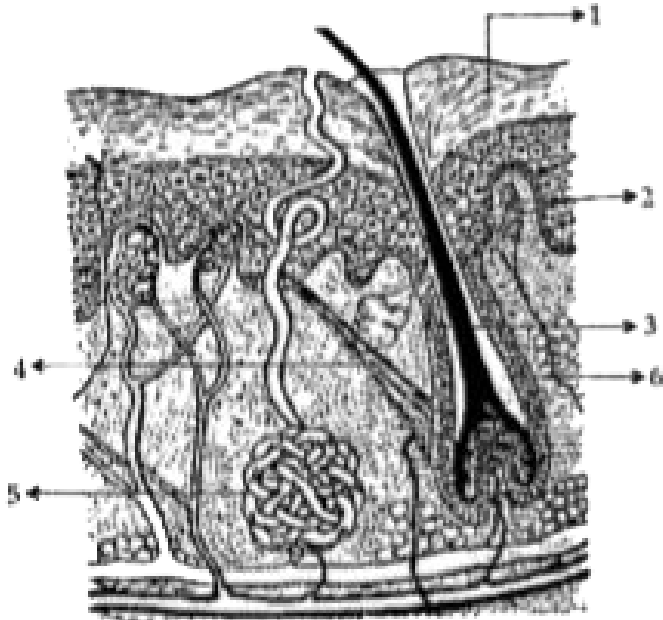


Label the parts 1 - 4.



[Watch Video Solution](#)

2. Study the diagram and answer the questions that follow :



Give the function of parts labelled 3,4 & 5.



**Watch Video Solution**

3. Study the diagram and answer the questions that follow :



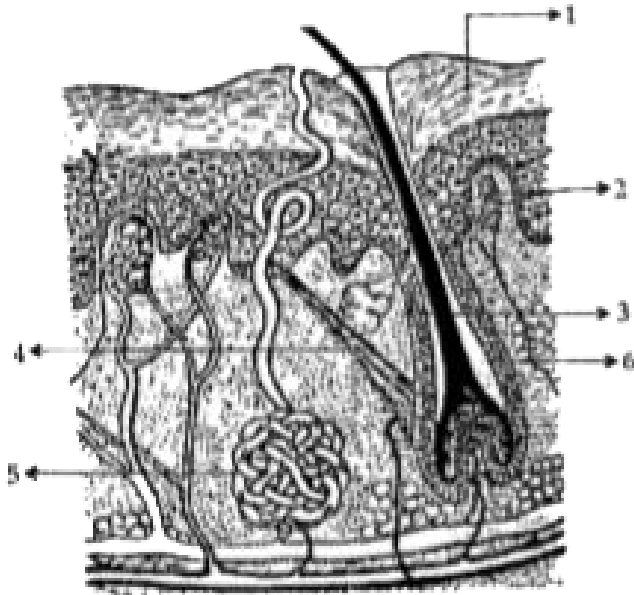
Name the protein present in the part labelled

.1..



**Watch Video Solution**

4. Study the diagram and answer the questions that follow :

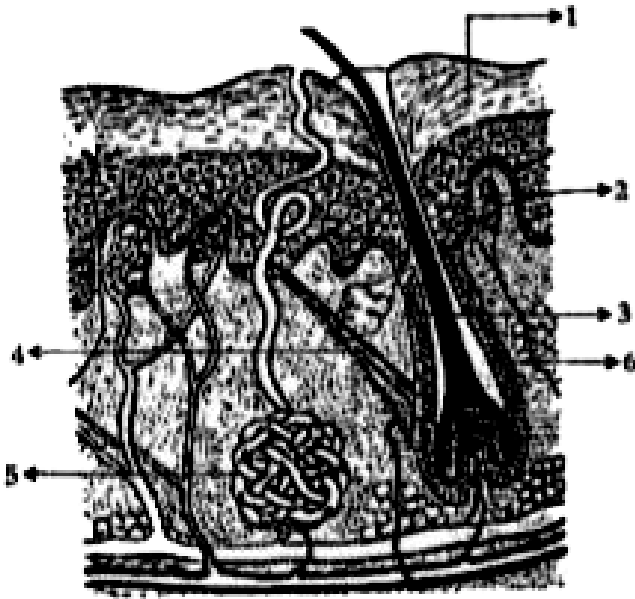


Name the pigment that gives colour to the skin.



**Watch Video Solution**

5. Study the diagram and answer the questions that follow :



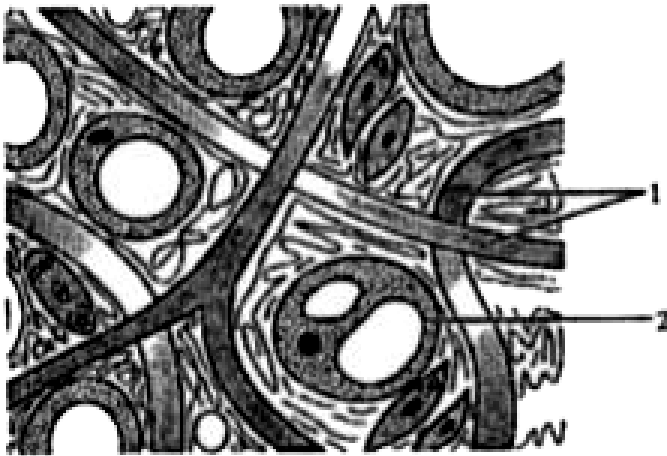
(v) Name the fluid secreted by the part labelled .5..



**Watch Video Solution**



6. Study the diagram and answer the questions that follow :



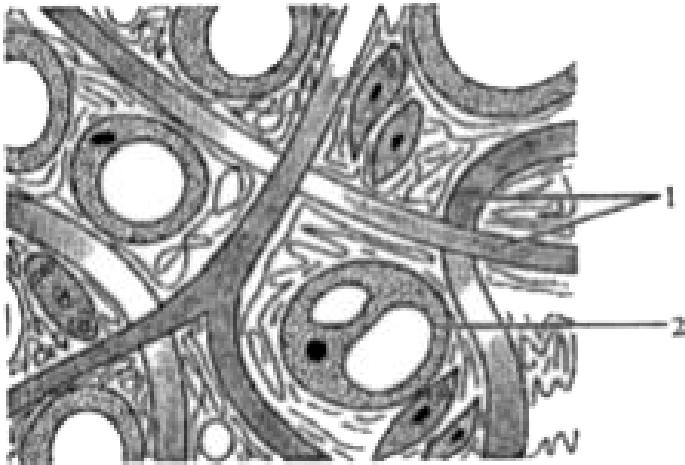
Name the structure shown in the diagram.

State in which part of body it is present.



[Watch Video Solution](#)

7. Study the diagram and answer the questions that follow :

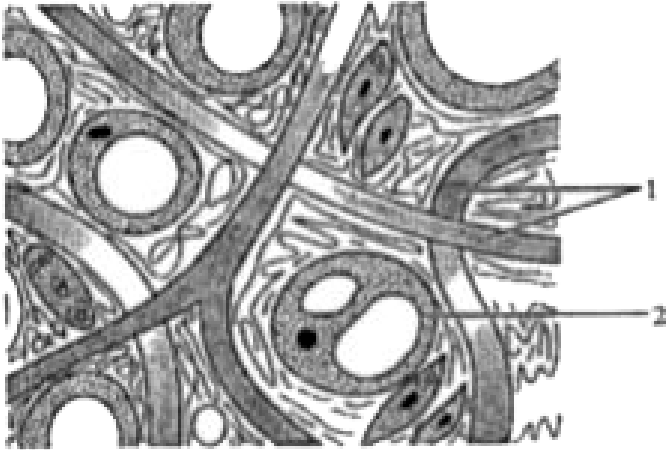


Write the basic function of this structure.



**Watch Video Solution**

8. Study the diagram and answer the questions that follow :

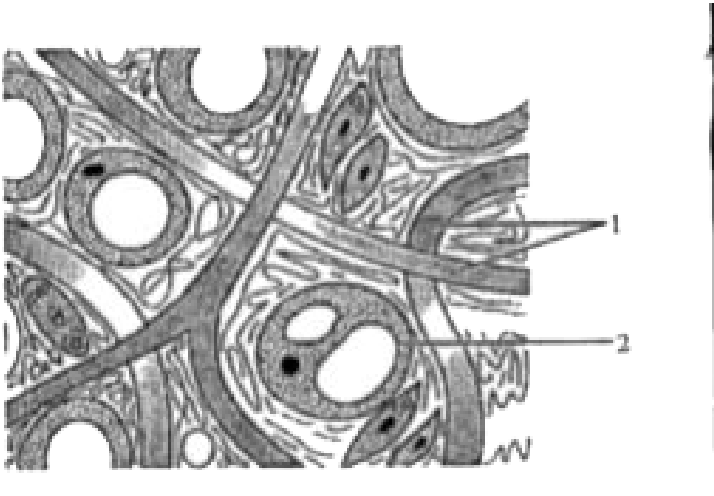


Label the parts numbered as 1 and 2.



[Watch Video Solution](#)

9. Study the diagram and answer the questions that follow :

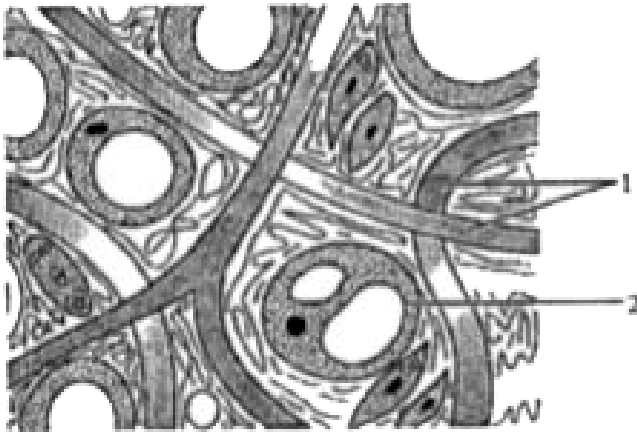


Name the rounded cells filled with fat.



**Watch Video Solution**

10. Study the diagram and answer the questions that follow :

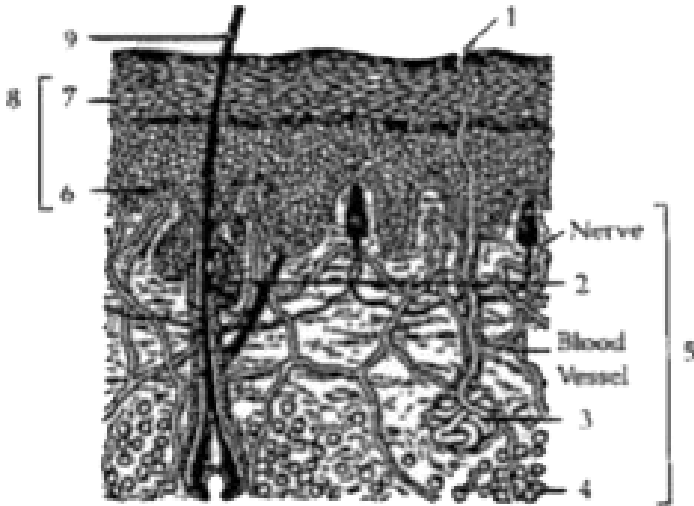


How this structure helpful in conserving body heat ?



[Watch Video Solution](#)

11. Given below is a diagrammatic sketch of the vertical section of a human skin.

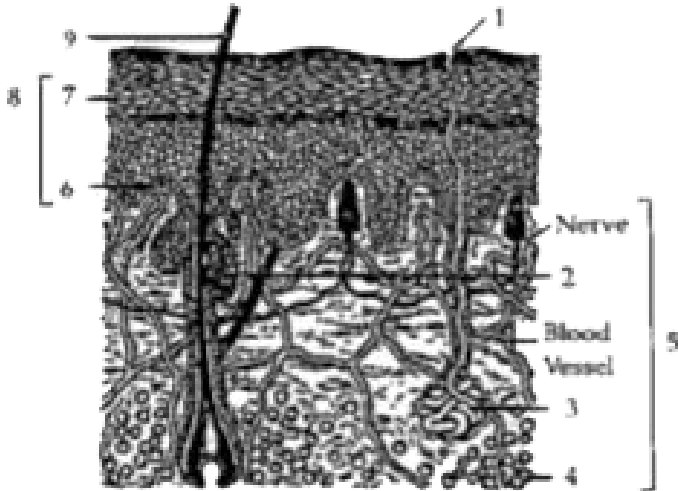


Label the parts numbered from 1-9 .



[Watch Video Solution](#)

12. Given below is a diagrammatic sketch of the vertical section of a human skin.

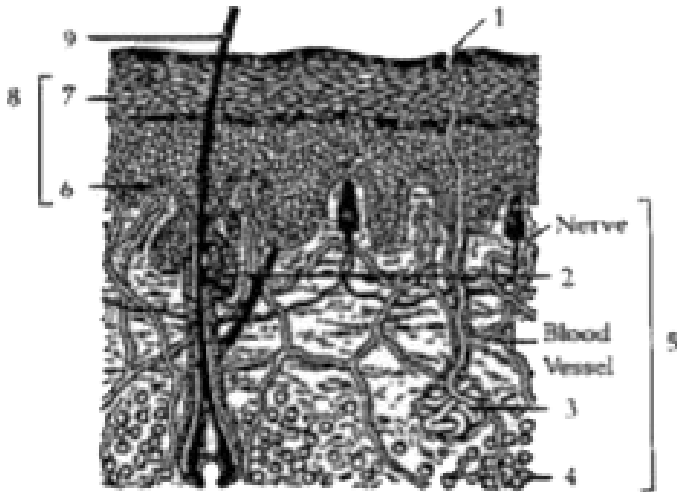


(i) Label the parts numbered from from 1-9

State one main function of each of the following parts-3,4 and 9.

 [Watch Video Solution](#)

13. Given below is a diagrammatic sketch of the vertical section of a human skin.



(i) Label the parts numbered from from 1-9

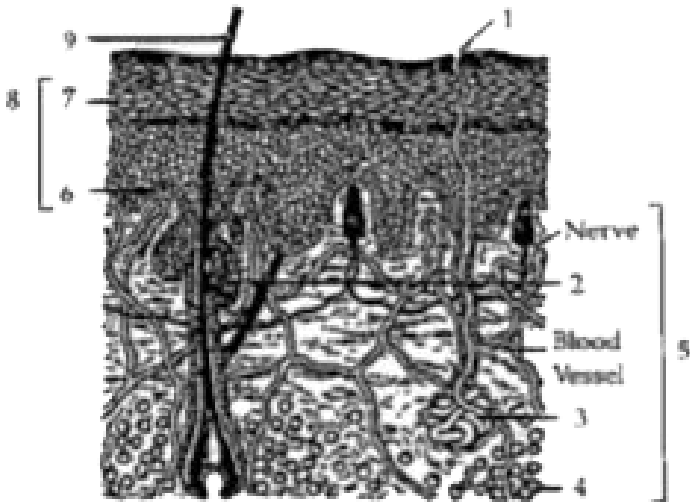
Name any one of the above parts which has at least three functions.



[Watch Video Solution](#)



14. Given below is a diagrammatic sketch of the vertical section of a human skin.



(i) Label the parts numbered from from 1-9

Part 4 may add to one's good appearance or the .figure.. State one example of this function which may be common to both women and men.



[Watch Video Solution](#)

## Topic 2 1 Mark Questions

1. Name a modified sweat gland.



[Watch Video Solution](#)

2. How do hairs provide the sensation of touch?



[Watch Video Solution](#)

3. The principal heat regulating centre is located in the:

A. Sebaceous gland

B. Lungs

C. Epidermis

D. Hypothalamus

**Answer: D**



**Watch Video Solution**

4. When outside temperature is high, the blood vessel gets dilated. This phenomenon is known as :

A. Vasodilation

B. Vasoconstriction

C. Peristalsis

D. Expiration

**Answer: A**



**Watch Video Solution**

## Topic 2 2 Marks Questions

1. Mention the exact location : Ceruminous glands



[Watch Video Solution](#)

2. Mention the exact location : Sweat glands



[Watch Video Solution](#)

**3.** Give appropriate biological / technical terms for the following:

Passing winter in a resting state with a drop in body temperature.



**Watch Video Solution**

**4.** Give appropriate biological / technical terms for the following:

A modified sebaceous gland which opens on the margin of the eyelids





[Watch Video Solution](#)

5. Give appropriate biological / technical definition for the following:

Hibernation



[Watch Video Solution](#)

6. Differentiate between the skin and Hair on the basis of function



[Watch Video Solution](#)

7. Why skin cannot really consider as an excretory organ?



[Watch Video Solution](#)

8. An otherwise normal healthy young man started perspiring while it was intensely cold outside. Explain.



[Watch Video Solution](#)



1. Correct the statement given below by changing the underlined word:

Vasoconstriction occur during summer.



[Watch Video Solution](#)

2. Correct the statement given below by changing the underlined word:

Hibernation is also known as summer sleep



[Watch Video Solution](#)

3. Correct the statement given below by changing the underlined word:

Vigorous activity on a cold day overheats you.



[Watch Video Solution](#)

4. Name a modified sweat gland.



[Watch Video Solution](#)

5. Name the following: A skin gland which when inflamed cause acne.



[Watch Video Solution](#)

6. Name the following: A modified sebaceous gland.



[Watch Video Solution](#)

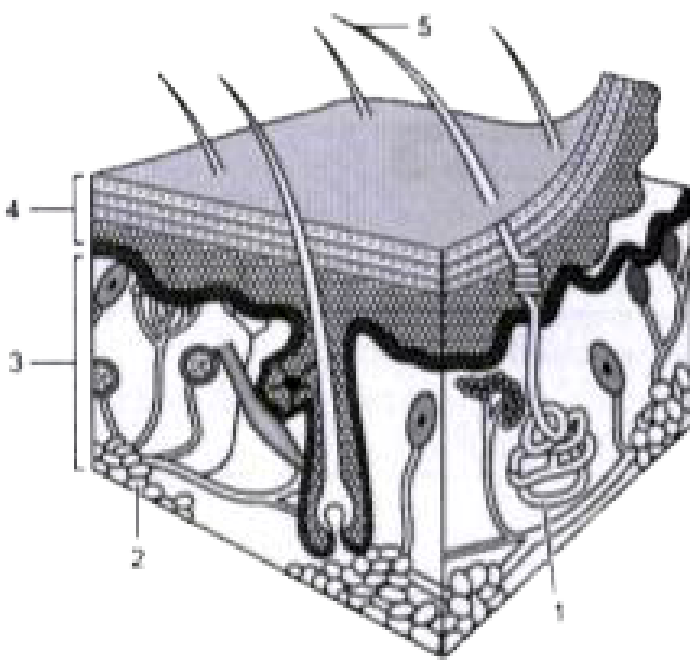
7. Name any three common problems related to sebaceous glands :



[Watch Video Solution](#)

## Topic 2 5 Marks Questions

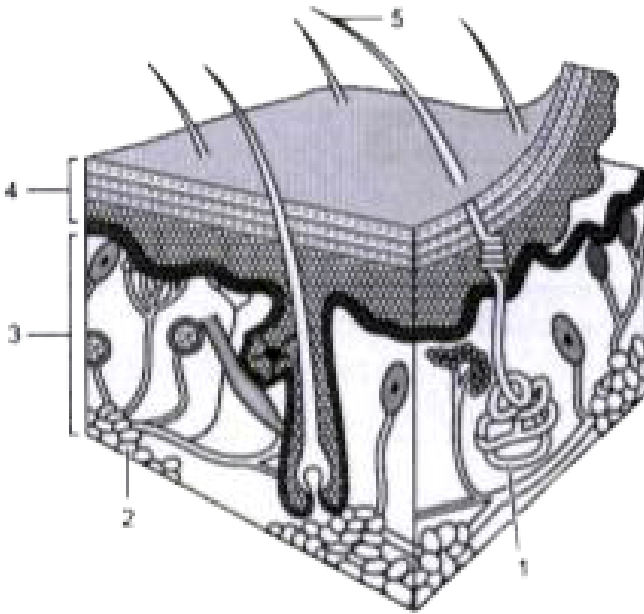
1. Study the diagram and answer the questions that follow :



Label the parts 1-5

[Watch Video Solution](#)

2. Study the diagram and answer the questions that follow :

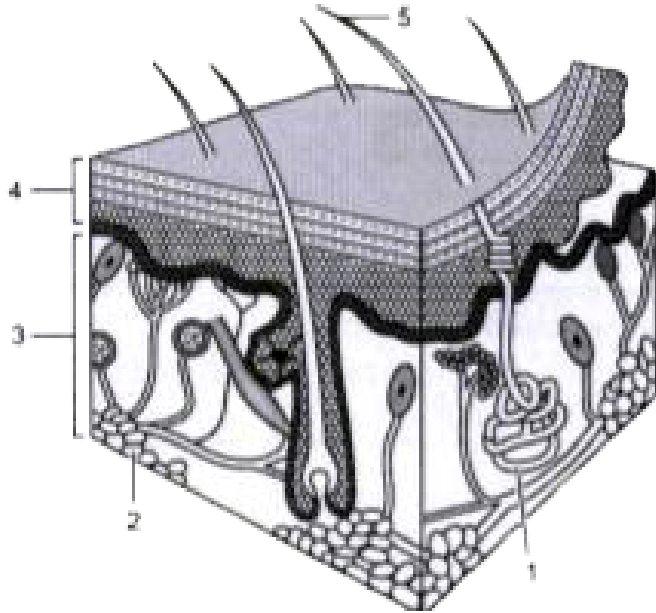


Explain the function of parts .1. and .2..



**Watch Video Solution**

**3.** Study the diagram and answer the questions that follow :

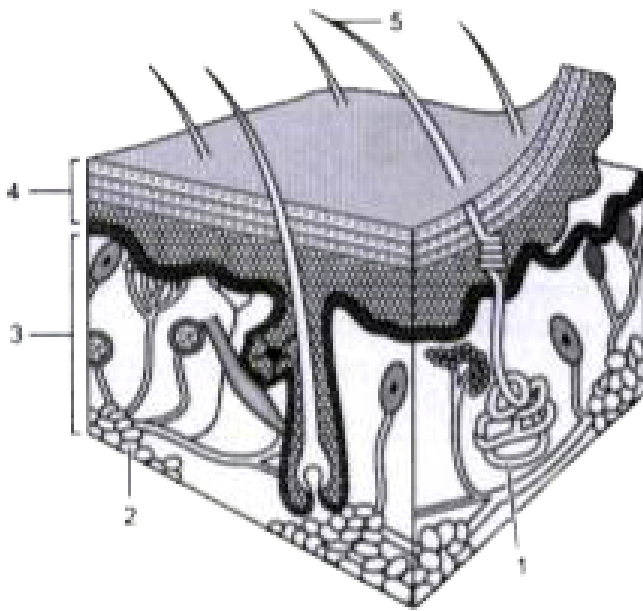


Which layer of skin act as storehouse of fat?



**Watch Video Solution**

4. Study the diagram and answer the questions that follow :



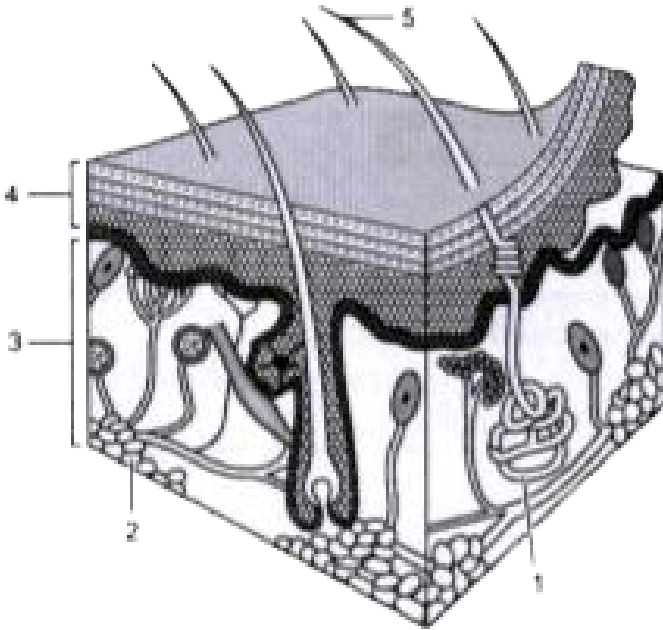
How does skin respond to cold?



[Watch Video Solution](#)

5. Study the diagram and answer the questions that follow :



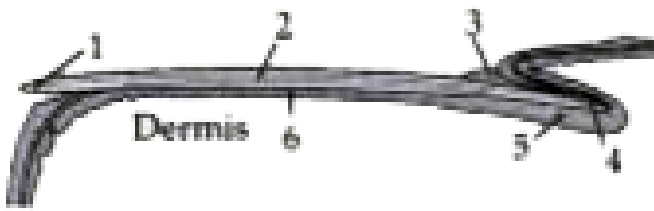


Define the term, Goose pimple.



[Watch Video Solution](#)

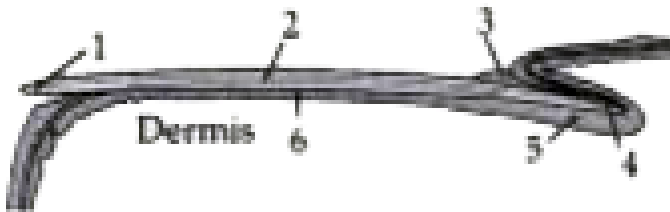
6. Study the diagram and answer the questions that follow :



Label the parts 1 - 4.

 **Watch Video Solution**

7. Study the diagram and answer the questions that follow :



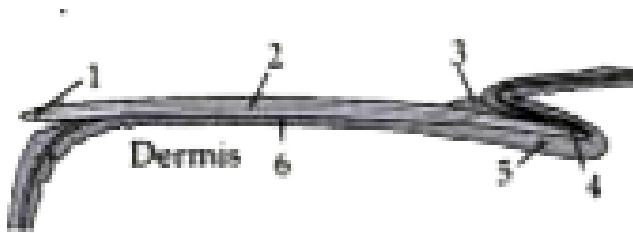
Explain the function of parts 5 and 6.





[Watch Video Solution](#)

8. Study the diagram and answer the questions that follow :

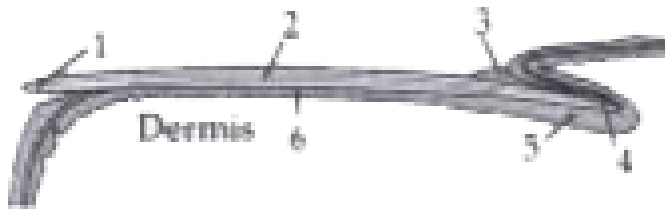


Name the cells found on the outer region of this part.



[Watch Video Solution](#)

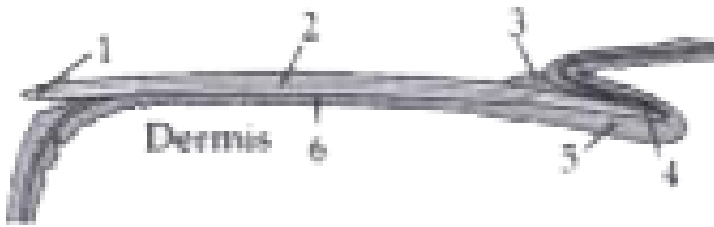
9. Study the diagram and answer the questions that follow :



Name the structure present near the nail root that has a white crescent-shaped region.

[Watch Video Solution](#)

10. Study the diagram and answer the questions that follow :



How does nail grow?

[Watch Video Solution](#)

**11.** (i) Draw a neat and labelled diagram of hair.

(ii) Based on the diagram drawn above in (i), give a suitable term for each of the following descriptions:

1. Name the gland that secretes the oily, waxy substance called sebum.

2. A muscle causing the hair to stand up straight (goose bumps).
3. Protein present in this structure.
4. Cell divides rapidly and is responsible for the growth of the existing hair.
5. The pigment responsible for the colour of the skin.
6. Dead, keratinized superficial portion of the hair.
7. Small tube of cells that extends into the dermis region of skin.



**Watch Video Solution**

