



MATHS

BOOKS - NAND LAL PUBLICATION

HERON'S FORMULA

Exercise 12.1

1. A traffic signal board, indicating 'SCHOOL AHEAD', is an equilateral triangle with side 'a'. Find the area of the signal board, using

Heron's formula. If its perimeter is 180 cm, what will be the area of the signal board?



[Watch Video Solution](#)

2. Find the area of triangle two sides of which are 18 cm and 10 cm and the perimeter is 42 cm.



[Watch Video Solution](#)

3. Sides of a triangle are in the ratio of 12 : 17 : 25 and its perimeter is 540cm. Find its area.



[Watch Video Solution](#)

4. An isosceles triangle has perimeter 30 cm and each of equal sides is 12 cm. Area of the triangle is :



[Watch Video Solution](#)

1. A park, in the shape of a quadrilateral ABCD,

has $\angle C = 90^\circ$,

$AB = 9m$, $BC = 12m$, $CD = 5m$ and

$AD = 8m$. How much area does it occupy ?



[Watch Video Solution](#)

2. Find the area of a quadrilateral ABCD in

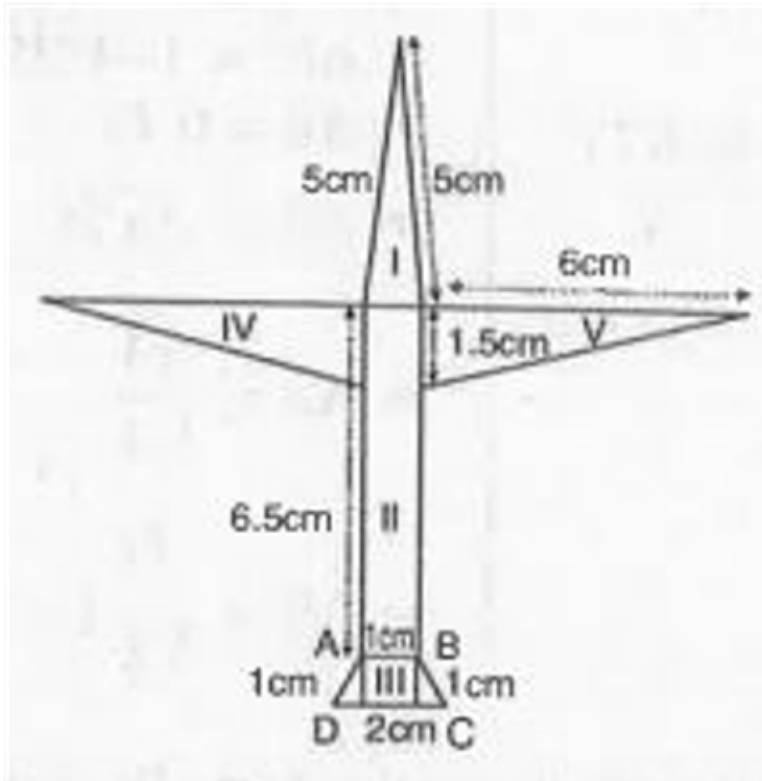
which $AB = 3$ cm, $BC = 4$ cm, $CD = 4$ cm, $DA = 5$

cm and $AC = 5$ cm.



[Watch Video Solution](#)

3. Radha made a picture of an aeroplane with coloured paper as shown in Fig.



Find the total area of the paper used.



 [Watch Video Solution](#)

4. A triangle and a parallelogram have the same base and the same area. If the sides of the triangle are 26 cm, 28 cm and 30 cm, and the parallelogram stands on the base 28 cm, find the height of the parallelogram.



[Watch Video Solution](#)

5. A rhombus shaped field has green grass for 18 cows to graze. If each side of the rhombus

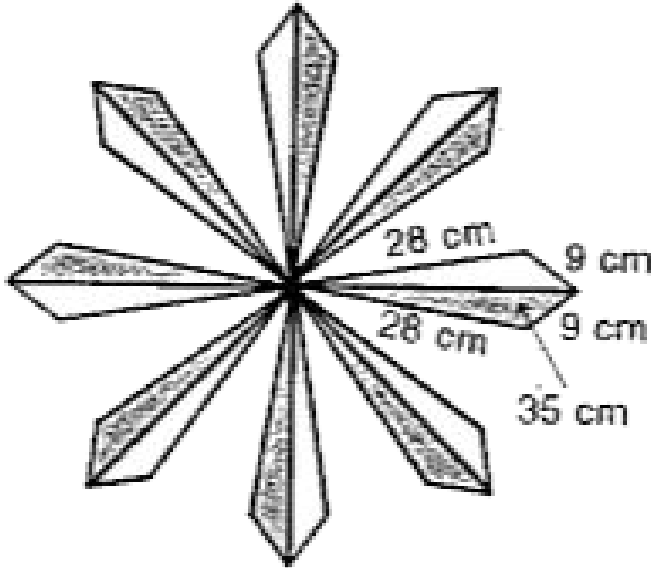
is 30m and its longer diagonal is 48m, grass of how much area of grass field will each cow be getting ?



[Watch Video Solution](#)

6. A floral design on a floor is made up of 16 tiles which are triangular , the sides of the triangle being 9 cm , 28 cm and 35 cm (See figure). Find the cost of polishing the tiles at

the rate of 50 p per cm^2 .



[Watch Video Solution](#)

7. A field is in the shape of a trapezium whose parallel sides are 25m and 10m. The non-

parallel sides are 14m and 13 m. Find the area of the field.



Watch Video Solution