



# MATHS

## BOOKS - AGRAWAL PUBLICATION

### SAMPLE PAPER 10

#### Exercise

1. What is the HCF of the smallest prime number and the smallest composite number?



**Watch Video Solution**

2. Write a quadratic equation, sum of whose roots is  $-3\sqrt{2}$  and their product is 4.



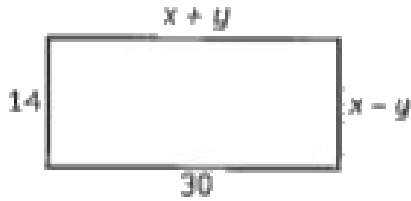
[Watch Video Solution](#)

3. In an A.P. if  $S_n = 5n^2 - 3n$  find the A.P.

OR

From the adjoining figure of a rectangle, find

the values of  $x$  and  $y$ .



[Watch Video Solution](#)

4. Find a point which divides the join of A (-3, 4) and B (9,6) internally in the ratio 3: 2.



[Watch Video Solution](#)

5. If the distance between the points  $P(2, - 3)$  and  $Q (10, y)$  is 10 units, then find the value of 'y'.



[Watch Video Solution](#)

6. Draw a line segment of length 7 cm and divide it in the ratio 2:3.



[Watch Video Solution](#)

7. What number should be added to the polynomial,  $x^2 + 7x - 35$ , so that 3 is the zero of the polynomial?



[Watch Video Solution](#)

8. For what value of  $k$ , do the equations  $3x - y + 8 = 0$  and  $6x - ky = -16$  represent coincident lines ?



[Watch Video Solution](#)

9. The 4th term from the end of an AP -11, -8, -5, ..., 49 is



[Watch Video Solution](#)

10. If the curved surface area of a sphere is  $4\pi$  sq m. then find the diameter of the sphere.



[Watch Video Solution](#)

**11.** What is surface area of the resultant cuboid, obtained on joining 2 identical cubes each of edge 2 cm?



**Watch Video Solution**

**12.** If  $\triangle ABC$  is right angled at C, then find the value of  $\cos (A + B)$



**Watch Video Solution**

**13.** A letter is drawn at random from the letters of the word ERROR. What is probability that the drawn letter is R ?



[Watch Video Solution](#)

**14.** If  $\cos (A+B) = 0$  and  $\sin (A-B) = \frac{\sqrt{3}}{2}$  then calculate the value of A.



[Watch Video Solution](#)



**15.** In triangle ABC, right-angled at B. if

$\tan A = \frac{1}{\sqrt{3}}$ , find the value of:

$\sin A \cos C + \cos A \sin C$



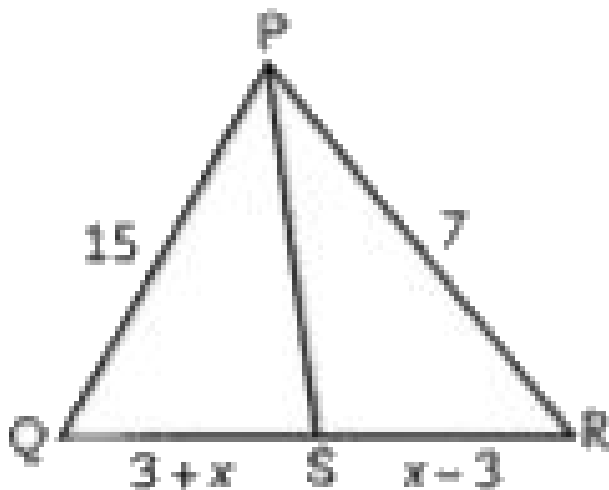
**Watch Video Solution**

**16.** If a fair dice is thrown once, find the probability of getting a number which is even as well as prime.



**Watch Video Solution**

17. In the given figure, PS is the bisector of  $\angle QPR$ . If  $PQ = 15$ ,  $PR = 7$ ,  $QS = 3 + x$  and  $SR = x - 3$ , find the value of  $x$ .



[Watch Video Solution](#)

**18.** If in two triangles ABC and PQR,  
 $\frac{AB}{PQ} = \frac{BC}{RP}$ , then for the two triangles to be similar, which of the following condition is necessary?



**Watch Video Solution**

**19.** If  $6^{th}$  term and  $8^{th}$  term of an A.P. are 12 and 22 respectively, then find its  $2^{nd}$  term.



**Watch Video Solution**

20. Determine zeros of polynomial  $p(x)$   
 $= x^3 - 7x$ .

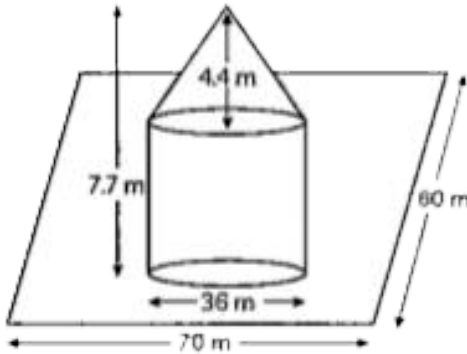
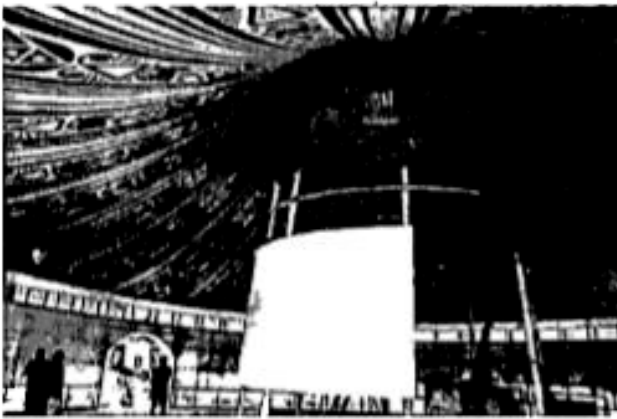


[Watch Video Solution](#)

21. Uttar Bantra Sarbojanin Durgotsav Committee had started planning for their Durga puja a year in advance with a mega budget in mind.

Bholeram Tents is given a contract by the municipal corporation of Budaun (Uttar Pradesh), India to setup a mega function

pandal (tent). The architect has designed a tent of height 7.7 m in the form of a right circular cylinder of diameter 36 m and height 4.4 m surmounted by a right circular cone. This tent is setup in a rectangular park of dimensions 70 m  $\times$  60 m as shown below. The tent is made of canvas. (Take  $\pi = 3.14$ )



For the workers to finalise the purchase of material, the height of the conical part is:

A. 2.3 m

B. 6.3 m

C. 3.3 m

D. 12.1 m

**Answer:**



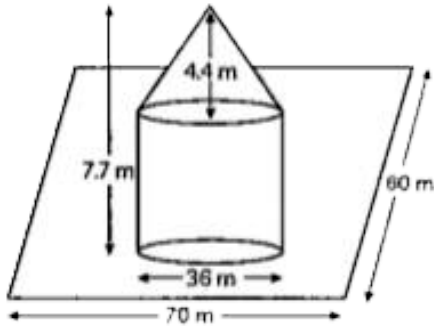
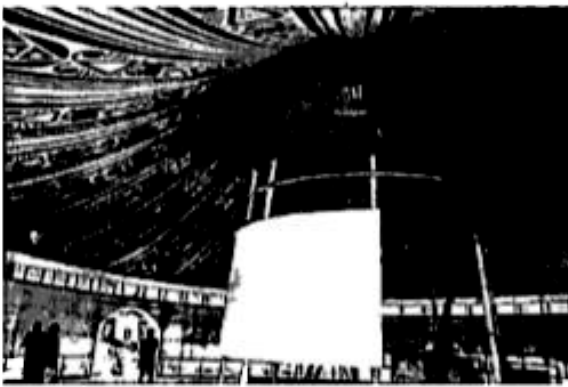
**Watch Video Solution**

**22.** Uttar Bantra Sarbojanin Durgotsav Committee had started planning for their Durga puja a year in advance with a mega budget in mind.

Bholeram Tents is given a contract by the

municipal corporation of Budaun (Uttar Pradesh), India to setup a mega function pandal (tent). The architect has designed a tent of height 7.7 m in the form of a right circular cylinder of diameter 36 m and height 4.4 m surmounted by a right circular cone. This tent is setup in a rectangular park of dimensions 70 m  $\times$  60 m as shown below. The tent is made of canvas. (Take  $\pi = 3.14$ )





The slant height of the conical part is:

- A. 18.3cm
- B. 18.7 cm
- C. 19.1 cm

D. 19.4cm

**Answer:**

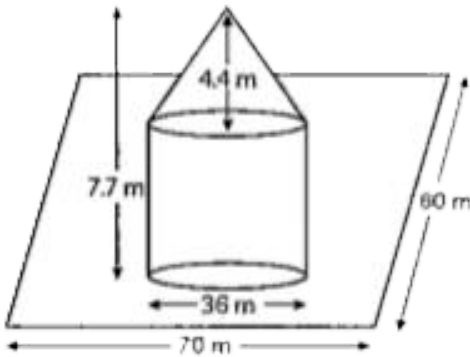
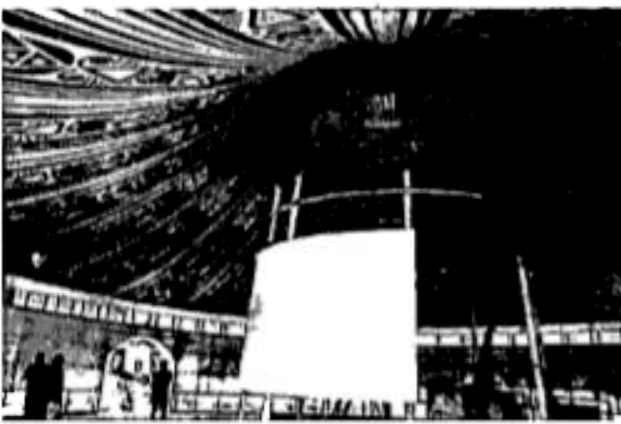


**Watch Video Solution**

**23.** Uttar Bantra Sarbojanin Durgotsav Committee had started planning for their Durga puja a year in advance with a mega budget in mind.

Bholeram Tents is given a contract by the municipal corporation of Budaun (Uttar

Pradesh), India to setup a mega function pandal (tent). The architect has designed a tent of height 7.7 m in the form of a right circular cylinder of diameter 36 m and height 4.4 m surmounted by a right circular cone. This tent is setup in a rectangular park of dimensions 70 m  $\times$  60 m as shown below. The tent is made of canvas. (Take  $\pi = 3.14$ )



To purchase the canvas, the area of the canvas to be used approx in making the tent, is:

- A. 1353 sq cm
- B. 1386 sq m

C. 1406 sq m

D. 1533 sq m

**Answer:**

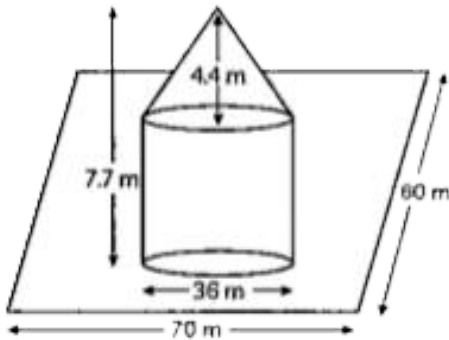
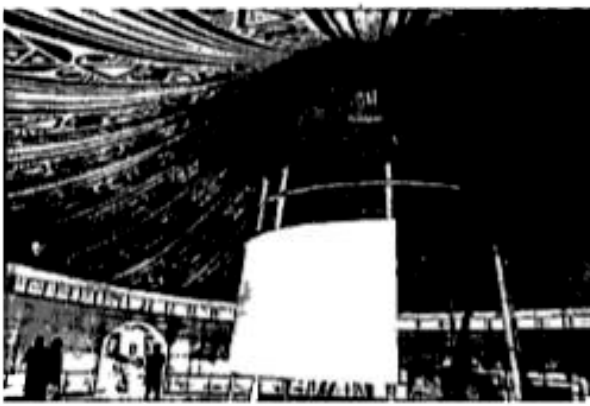


**Watch Video Solution**

**24.** Uttar Bantra Sarbojanin Durgotsav Committee had started planning for their Durga puja a year in advance with a mega budget in mind.

Bholeram Tents is given a contract by the

municipal corporation of Budaun (Uttar Pradesh), India to setup a mega function pandal (tent). The architect has designed a tent of height 7.7 m in the form of a right circular cylinder of diameter 36 m and height 4.4 m surmounted by a right circular cone. This tent is setup in a rectangular park of dimensions 70 m  $\times$  60 m as shown below. The tent is made of canvas. (Take  $\pi = 3.14$ )



The cost of canvas at ₹ 4.50, sq m is:

A. Rs 6327

B. Rs 6237

C. Rs 6898.50

D. Rs 6088.50

**Answer:**



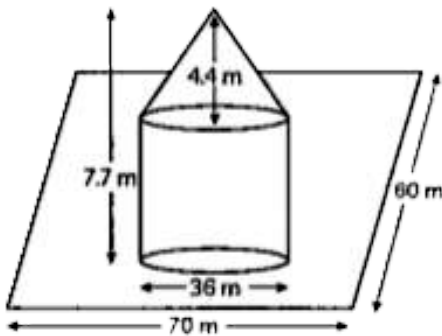
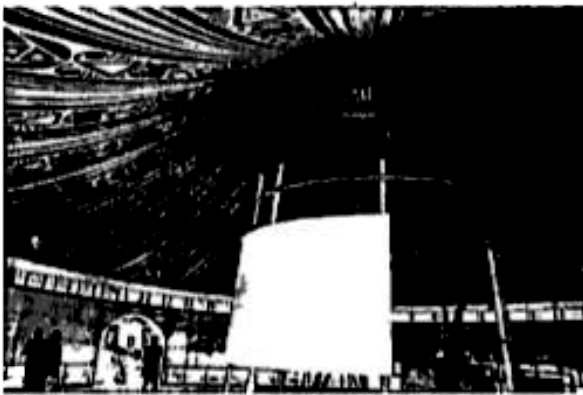
**Watch Video Solution**

**25.** Uttar Bantra Sarbojanin Durgotsav Committee had started planning for their Durga puja a year in advance with a mega budget in mind.

Bholeram Tents is given a contract by the municipal corporation of Budaun (Uttar



Pradesh), India to setup a mega function pandal (tent). The architect has designed a tent of height 7.7 m in the form of a right circular cylinder of diameter 36 m and height 4.4 m surmounted by a right circular cone. This tent is setup in a rectangular park of dimensions 70 m  $\times$  60 m as shown below. The tent is made of canvas. (Take  $\pi = 3.14$ )



The area of the rectangular park outside the tent is:

A. 1883 sq m

B. 2864 sq m

C. 3182 sq m

D. 4200 sq m

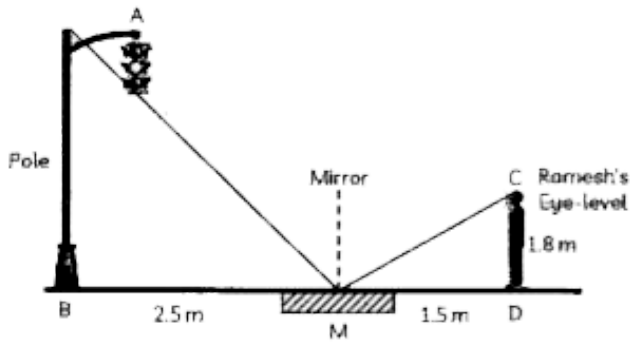
**Answer:**



**Watch Video Solution**

**26.** Ramesh places a mirror on level ground to determine the height of a pole (with traffic light fixed on it). He stands at a certain distance so that he can see the top of the pole reflected from the mirror. Ramesh's eye level is 1.8 m above the ground. The distance of

Ramesh and the pole from the mirror are 1.5 m and 2.5 m respectively.



The two similar triangles shown in the figure are:

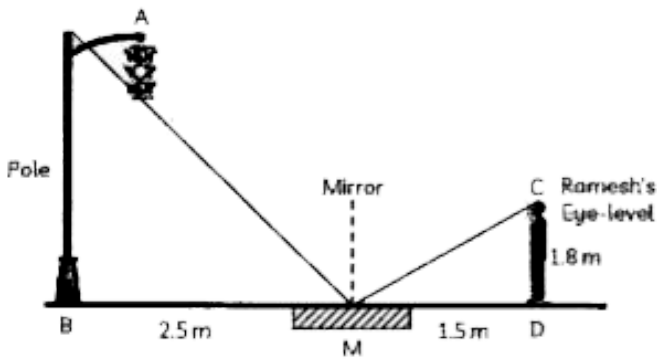
- A.  $\triangle ABM, \triangle MCD$
- B.  $\triangle AMB, \triangle CDM$
- C.  $\triangle ABM, \triangle CMD$
- D.  $\triangle ABM, \triangle MDC$

**Answer:**



**Watch Video Solution**

**27.** Ramesh places a mirror on level ground to determine the height of a pole (with traffic light fixed on it). He stands at a certain distance so that he can see the top of the pole reflected from the mirror. Ramesh's eye level is 1.8 m above the ground. The distance of Ramesh and the pole from the mirror are 1.5 m and 2.5 m respectively.



Which criterion of similarity is applicable to similar triangles?

A. SSA

B. ASA

C. SSS

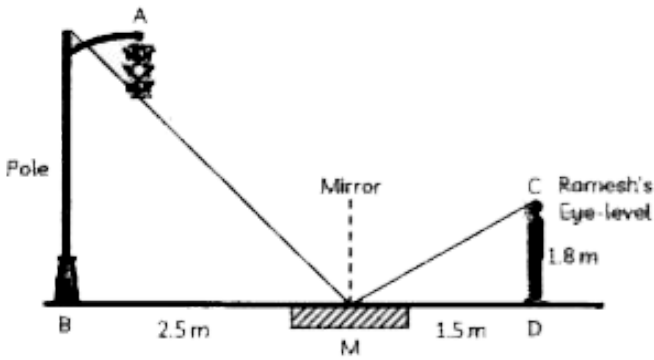
D. AAA

**Answer:**



Watch Video Solution

**28.** Ramesh places a mirror on level ground to determine the height of a pole (with traffic light fixed on it). He stands at a certain distance so that he can see the top of the pole reflected from the mirror. Ramesh's eye level is 1.8 m above the ground. The distance of Ramesh and the pole from the mirror are 1.5 m and 2.5 m respectively.



The height of the pole is:

- A. 3 metres
- B. 2.8 metres
- C. 3.2 metres
- D. 3.8 metres

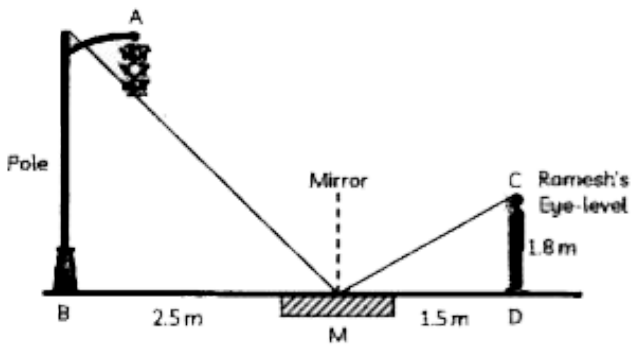
**Answer:**



**Watch Video Solution**



**29.** Ramesh places a mirror on level ground to determine the height of a pole (with traffic light fixed on it). He stands at a certain distance so that he can see the top of the pole reflected from the mirror. Ramesh's eye level is 1.8 m above the ground. The distance of Ramesh and the pole from the mirror are 1.5 m and 2.5 m respectively.



If Ramesh's eye level is 1.2 m above the ground, then the height of the pole is:

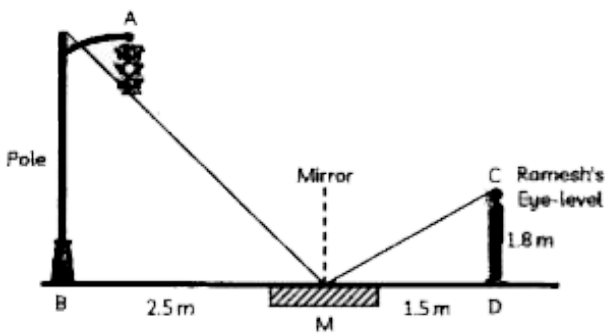
- A. 3 metres
- B. 2.6 metres
- C. 2.2 metres
- D. 2 metres

**Answer:**



Watch Video Solution

**30.** Ramesh places a mirror on level ground to determine the height of a pole (with traffic light fixed on it). He stands at a certain distance so that he can see the top of the pole reflected from the mirror. Ramesh's eye level is 1.8 m above the ground. The distance of Ramesh and the pole from the mirror are 1.5 m and 2.5 m respectively.



If the distance of Ramesh and the pole from the mirror are 2.5 m and 1.5 m respectively, then the height of the pole is:

- A. 3 metres
- B. 1.2 metre
- C. 1.8 metre
- D. 1.08 metre

**Answer:**

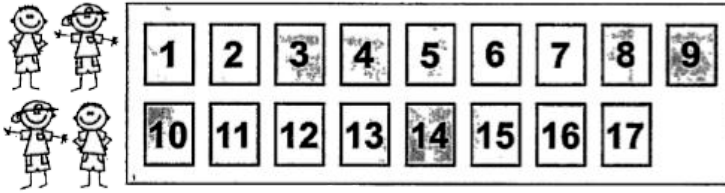


**Watch Video Solution**

**31.** 4 boys are having a night in and one of the boy's mother decides to play a game. 17 cards numbered 1, 2, 3\_17 are put in a box and mixed thoroughly.

The mother asks each boy to draw a card and after each draw, the card is replaced back in the box. She shows some magic tricks and at the end, decides to test their mathematical

skills.



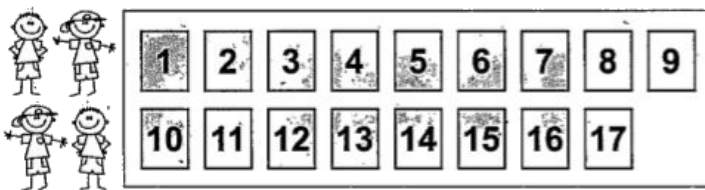
The probability of drawing an odd number card in the first draw by the first boy is:

- A.  $\frac{11}{17}$
- B.  $\frac{10}{17}$
- C.  $\frac{9}{17}$
- D.  $\frac{8}{17}$

**Answer:**



**32.** 4 boys are having a night in and one of the boy's mother decides to play a game. 17 cards numbered 1, 2, 3 . 17 are put in a box and mixed thoroughly. The mother asks each boy to draw a card and after each draw, the card is replaced back in the box. She shows some magic tricks and at the end, decides to test their mathematical skills.



The probability of drawing a prime number card in the second draw by the second boy is

A.  $\frac{3}{16}$

B.  $\frac{7}{17}$

C.  $\frac{9}{17}$

D.  $\frac{8}{15}$

**Answer:**

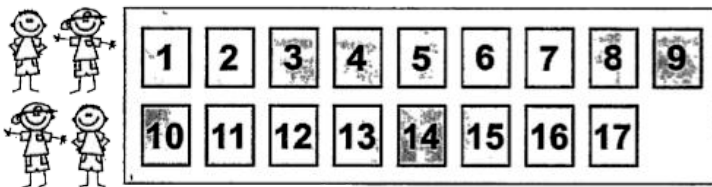


**Watch Video Solution**



**33.** 4 boys are having a night in and one of the boy's mother decides to play a game. 17 cards numbered 1, 2, 3\_17 are put in a box and mixed thoroughly.

The mother asks each boy to draw a card and after each draw, the card is replaced back in the box. She shows some magic tricks and at the end, decides to test their mathematical skills.



If the card is not replaced after the second

draw, the probability of drawing a card bearing a multiple of 3 greater than 4 in the third draw by the third boy is:

A.  $\frac{1}{4}$

B.  $\frac{1}{3}$

C.  $\frac{2}{3}$

D.  $\frac{5}{6}$

**Answer:**



**Watch Video Solution**

**34.** Using prime factorisation, find the LCM of 90 and 120.



**Watch Video Solution**

**35.** Using the quadratic formula, find the roots of the quadratic equation:  $x^2 + x - 12 = 0$ .



**Watch Video Solution**

**36.** If  $\tan A = \frac{7}{24}$  find the value of  $\sin A \cos A$ .



 [Watch Video Solution](#)

**37.** Prove that

$$\sin^2 A + \sin^2 A \tan^2 A = \tan^2 A.$$



[Watch Video Solution](#)

**38.** If the centroid of  $\triangle ABC$  having vertices  $A(a, b)$ ,  $B(b, c)$  and  $C(c, a)$  is the origin, then find the value of  $(a+b+c)$ .



[Watch Video Solution](#)

**39.** The perimeter of a sheet of paper in the shape of a quadrant of a circle is 75 cm. Find its area



[Watch Video Solution](#)

**40.** If  $\sin \theta + \cos \theta = \sqrt{3}$ , then what is  $\tan \theta + \cot \theta$  equal to ?



[Watch Video Solution](#)

41. Evaluate :  $\frac{\sin 30^\circ + \tan 45^\circ - \operatorname{cosec} 60^\circ}{\sec 30^\circ + \cos 60^\circ + \cot 45^\circ}$



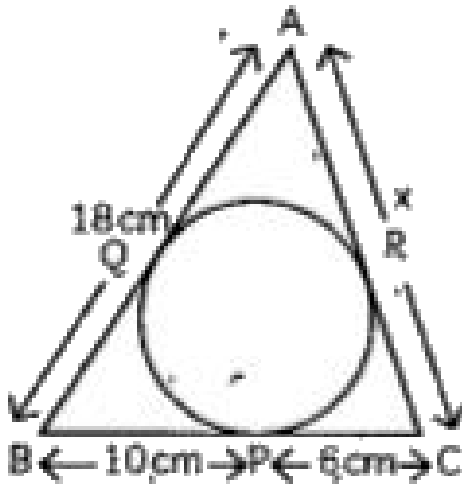
[Watch Video Solution](#)

42. If the points  $A(1, -2)$ ,  $B(2, 3)$ ,  $C(a, 2)$  and  $D(-4, -3)$  forms a parallelogram, find the value of 'a'.



[Watch Video Solution](#)

43. In the figure, all three sides of a triangle ABC touch the circle at points P, Q and R. Find the value of  $x$ .



[Watch Video Solution](#)

**44.** The product of the LCM and HCF of two numbers is 24. The difference of the two numbers is 2. Find the numbers?



[Watch Video Solution](#)

**45.** How many spherical lead shots each 4.2 cm in diameter can be obtained from a rectangular solid of lead with dimensions 66cm, 42cm, 21cm.  $\left( use \pi = \frac{22}{7} \right)$ .



[Watch Video Solution](#)



**46.** The first term of an A.P. is 5, the last term is 45 and the sum is 400. Find the number of terms and the common difference.



[Watch Video Solution](#)

**47.** A tree is broken by the wind. The top of that tree struck the ground at an angle of  $30^\circ$  and at a distance of 30 m from the root. Find the height of the whole tree. ( $\sqrt{3} = 1.73$ )



[Watch Video Solution](#)

**48.** Theorem 6.8 : In a right triangle, the square of the hypotenuse is equal to the sum of the squares of the other two sides.



**Watch Video Solution**

**49.** Write any two irrational numbers whose product is rational number.



**Watch Video Solution**

50. LCM of  $(2^3 \times 3 \times 5)$  and  $(2^4 \times 5 \times 7)$  is



[Watch Video Solution](#)

51. A quadratic polynomial , whose zeroes are  $-3$  and  $4$  is



[Watch Video Solution](#)

52. Discuss the nature of the quadratic equation  $2x^2 + x + 4 = 0$



Watch Video Solution

53. Write the 2nd term of the AP, if its

$$S_n = n^2 + 2n.$$



Watch Video Solution

54. Find the roots of  $x + \frac{1}{x} = 2$



Watch Video Solution

**55.** Write a pair of linear equations which has the unique solution  $x = -1, y = 3$



**Watch Video Solution**

**56.** If the distance between the points  $(4,p)$  and  $(1,0)$  is 5 , then find the value of  $p$ .



**Watch Video Solution**

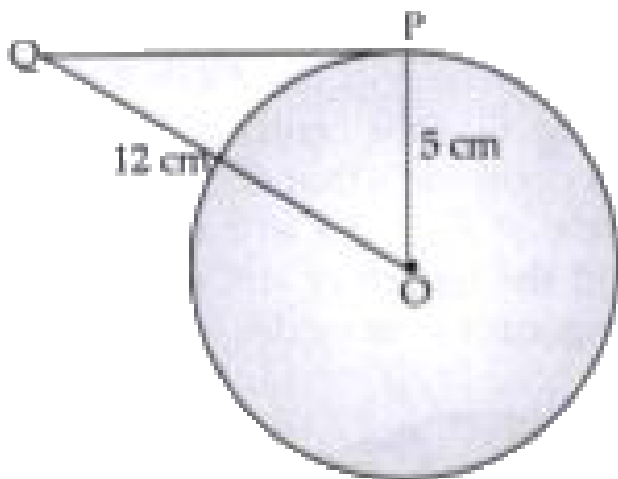
**57.** Find the distance between the points  $(0, 6)$  and  $(0, -2)$ .



**Watch Video Solution**

**58.** A tangent  $PQ$  at a point  $P$  of a circle of radius  $5$  cm meets a line through the centre  $O$

at a point Q so that  $OQ = 12$  cm. Length PQ is:



[Watch Video Solution](#)

59. State and prove the Pythagoras theorem.



[Watch Video Solution](#)

**60.** From a tank containing 10 male fish and 12 female fish, a fish is taken out, then probability that it is a female fish is?



**Watch Video Solution**

**61.** Find the number if eight times of its is added to its square, the sum so obtained is -16.



**Watch Video Solution**



62. Find the value of

$$(1 + \cos A)(1 - \cos A) \operatorname{cosec}^2 A.$$



Watch Video Solution

63. Find the maximum value of  $\frac{1}{\operatorname{cosec} \theta}$



Watch Video Solution

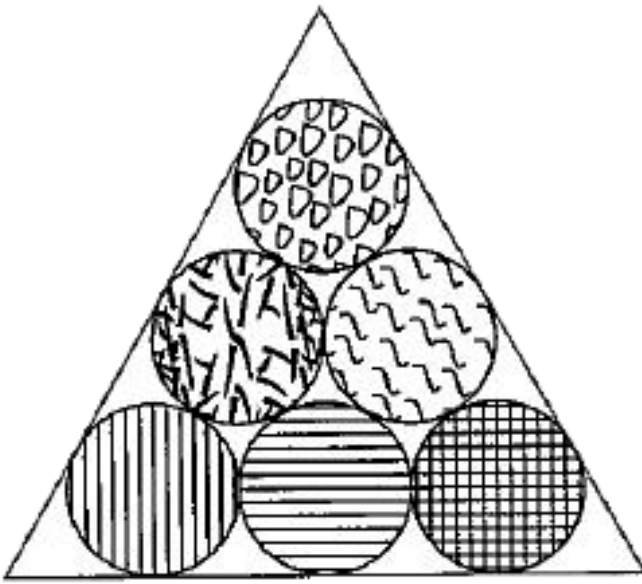
64. If  $\tan \theta + \cot \theta = 2$  then the value of

$$\tan^2 \theta + \cot^2 \theta \text{ is}$$



## 65. Case Study-1:

Due to covid-19 lockdown, Ramesh decides to redo his house garden with some plantation work with his son. They have an equilateral triangle shaped garden and he has planted the garden with 6 different types of flowers (each of radius 1 m within a circular area). This left the remaining part of garden (that is outside the circular plants area) with lush green grass.



Now, comes the part of adding boundaries to corner the garden off nicely and he needs to know some calculations for it.

A boundary wall of height 25 cm is to be made around the garden leaving a space of 1 m wide for a gate on one side. The total length of boundary wall is

A. 18m

B. 20 m

C. 21 m

D. 22m

**Answer:**



**Watch Video Solution**

**66.** The students of a school decided to beautify the school on the annual day by fixing colourful flags on the straight passage

of the school. They have 27 flags to be fixed at intervals of every 2 m. The flags are stored at the position of the middle most flag. Ruchi was given the responsibility of placing the flags.

Ruchi kept her books where the flags were stored. She could carry only one flag at a time. How much distance she did cover in completing this job and returning back to collect her books ? What is the maximum distance she travelled carrying a flag ?

A. 22m

B. 24m

C. 26m

D. 28m

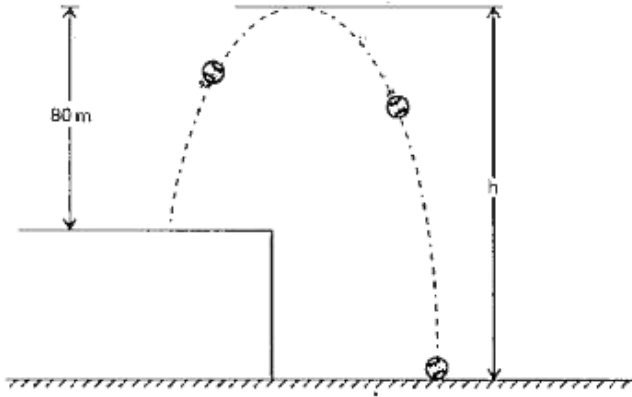
**Answer:**



**Watch Video Solution**

**67.** Soumya throws a ball upwards, from a rooftop, 80 m above. It will reach a maximum height and then fall back to the ground. The height of the ball from the ground at time 't' is

'h', which is given by  $h = -16t^2 + 64t + 80$



What is the height reached by the ball after 1 second ?

- A. 135 m
- B. 140m
- C. 128m
- D. 145m

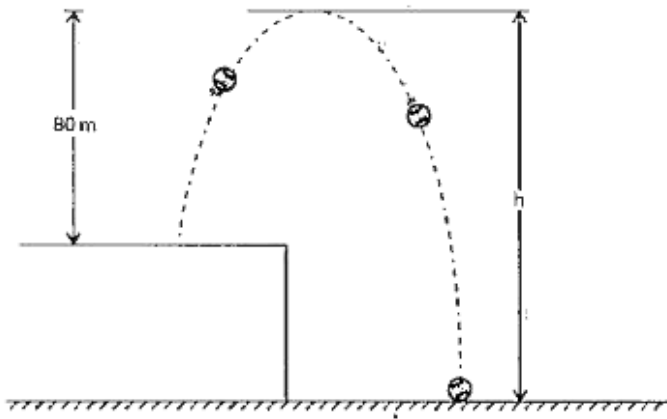
**Answer:**



**Watch Video Solution**

**68.** Soumya throws a ball upwards, from a rooftop, 80 m above. It will reach a maximum height and then fall back to the ground. The height of the ball from the ground at time 't' is 'h', which is given by  $h = -16t^2 + 64t + 80$





What is the maximum height reached by the ball ?

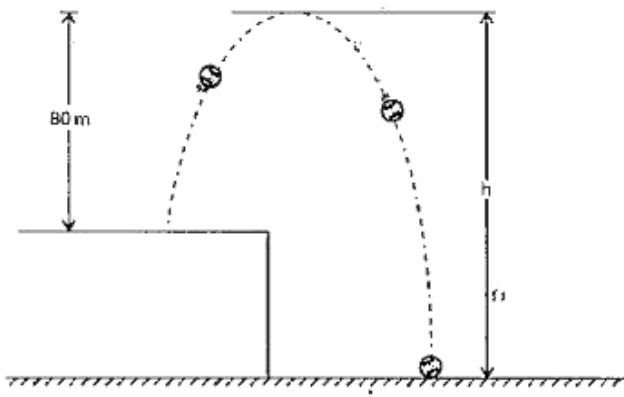
- A. 154m
- B. 144m
- C. 136m
- D. 158m

**Answer:**



**Watch Video Solution**

**69.** Soumya throws a ball upwards, from a rooftop, 80 m above. It will reach a maximum height and then fall back to the ground. The height of the ball from the ground at time 't' is 'h', which is given by  $h = -16t^2 + 64t + 80$



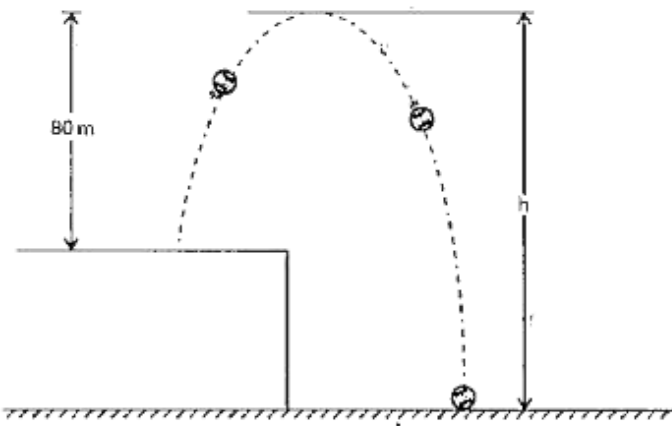
How long will the ball take to hit the ground ?

- A. 4 second
- B. 3 second
- C. 5 second
- D. 6 second

**Answer:**



70. Soumya throws a ball upwards, from a rooftop, 80 m above. It will reach a maximum height and then fall back to the ground. The height of the ball from the ground at time 't' is 'h', which is given by  $h = -16t^2 + 64t + 80$



What are the two possible times to reach the ball at the same height of 128 m ?

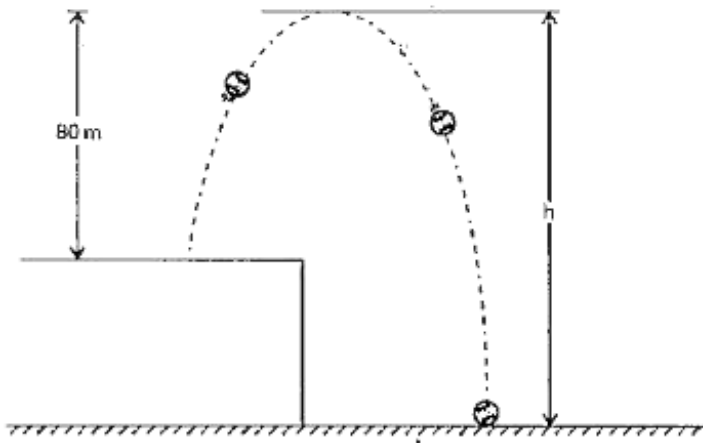
- A. 1 and 3 second
- B. 1.5 and 2.5 second
- C. 0.5 and 2.5 second
- D. 1.6 and 2.6 second

**Answer:**



**Watch Video Solution**

71. Soumya throws a ball upwards, from a rooftop, 80 m above. It will reach a maximum height and then fall back to the ground. The height of the ball from the ground at time 't' is 'h', which is given by  $h = -16t^2 + 64t + 80$



After 6 seconds, where is the ball ?

A. at the ground

B. rebounds

C. at highest point

D. fall back

**Answer:**



**Watch Video Solution**

72. Assuming that  $\sqrt{2}$  is irrational, show that

$5 + \sqrt{2}$  is an irrational number.



**Watch Video Solution**

**73.** Find the greatest number that divides 338 and 59 and leaves remainders of 2 and 5 respectively.



[Watch Video Solution](#)

**74.** Three consecutive vertices of a parallelogram are  $(-2,-1)$ ,  $(1,0)$  and  $(4,3)$ . Find the fourth vertex



[Watch Video Solution](#)



75. The perpendicular bisector of the line segment joining the points  $A(1,5)$  and  $B(4,6)$  cuts the Y-axis at



[Watch Video Solution](#)

76. Prove that the length of the tangents drawn from an external point to a circle are equal.



[Watch Video Solution](#)

**77.** Find the angle of elevation of the sun when the shadow of a pole 'h' metres high is  $\sqrt{3}h$  metres long.



**Watch Video Solution**

**78.** The ratio of the volume of a cube to that of a sphere which will fit inside the cube is



**Watch Video Solution**

**79.** The volume of the largest right circular cone that can be cut out of a cube of edge 7 cm ?

(Use  $\pi = \frac{22}{7}$ )



**Watch Video Solution**

**80.** Determine the zeroes of the polynomial  $p(x) = x^3 - 2x^2$ . Also verify the relationship between the zeroes and the coefficient.



**Watch Video Solution**

**81.** ₹ 250 were divided equally among a certain number of children. If there were 25 more children, each would have received 50 paise less. Find the number of children.



**Watch Video Solution**

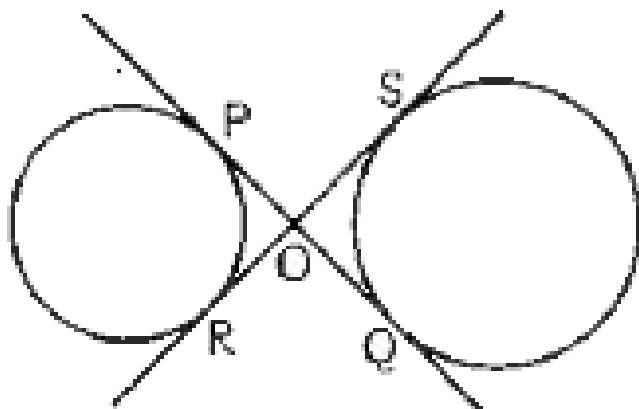
**82.** If the centre of a circle is  $(2a, a-7)$ , then Find the value of  $a$ , if the circle passes through the point  $(11, -9)$  and has diameter  $10\sqrt{2}$  units .



**Watch Video Solution**

**83.** In the figure, PQ and RS are the common tangents to two circles intersecting at O.

Prove that  $PQ=RS$



**Watch Video Solution**

**84.** In  $\triangle ABC$ ,  $\angle A$  is acute.  $BD$  and  $CE$  are perpendicular on  $AC$  and  $AB$  respectively. Prove that  $AB \times AE = AC \times AD$ .



**Watch Video Solution**

**85.** Draw a circle of radius 4 cm. Construct a pair of tangents to it, the angle between which is  $60^\circ$ . Also justify the construction. Measure the distance between the centre of

the circle and the point of intersection of tangents.



[Watch Video Solution](#)

**86.** If  $x = a \cos^3 \theta$  and  $y = b \sin^3 \theta$ , prove that  $\left(\frac{x}{a}\right)^{2/3} + \left(\frac{y}{b}\right)^{2/3} = 1$ .



[Watch Video Solution](#)

**87.** I toss three coins together. The possible outcomes are no heads, 1 head 2 head and 3

heads. So, I say that probability of no heads is  $\frac{1}{4}$ . What is wrong with this conclusion?



[Watch Video Solution](#)

**88.** Theorem 6.1 : If a line is drawn parallel to one side of a triangle to intersect the other two sides in distinct points, the other two sides are divided in the same ratio.



[Watch Video Solution](#)



89.

Prove

that

$$\frac{1 + \sec A - \tan A}{1 + \sec A + \tan A} = 1 - \frac{\sin A}{\cos A}$$



**Watch Video Solution**