



PHYSICS

BOOKS - FULL MARKS PHYSICS (TAMIL ENGLISH)

SAMPLE PAPER - 19

Part I

1. The mass of a body is measured on planet Earth as M kg. When it is taken to a planet of

radius half that of the Earth then its value will be _____ kg.

A. $4M$

B. $2M$

C. $M/4$

D. M

Answer: C



Watch Video Solution

2. The eye defect's 'presbyopia' can be corrected by

A. convex lens

B. concave lens

C. convex mirror

D. bifocal lenses

Answer: D



Watch Video Solution

3. Sound propagates maximum in

A. gas

B. liquid

C. solid

D. all

Answer: C



Watch Video Solution

4. Mass of 2 mole of Nitrogen atom is

...

A. 28 amu

B. 14 amu

C. 28 g

D. 14 g

Answer: B



Watch Video Solution

5. The molecular formula of an open chain organic compound is C_3H_6 . The class of the compound is

A. alkane

B. alkene

C. alkyne

D. alcohol

Answer: B



Watch Video Solution

6. _____ forms the basis of modern periodic table .

A. Atomic number

B. Mass number

C. Proton

D. Electron

Answer: A



Watch Video Solution

7. Heparin is produced by :

A. leech

B. tapeworm

C. earthworm

D. rabbit

Answer: A



Watch Video Solution

8. Platelets play an important role in clotting of blood .

A. Leucocytes

B. platelets

C. Lymphocytes

D. Monocytes

Answer: B



Watch Video Solution

9. A neuron contains all cell organelles except _____

A. nucleus

B. cytoplasm

C. centrioles

D. axon

Answer: C



Watch Video Solution

10. Organisms with modified endogenous gene of a foreign gene are also known as_____.

A. transgenic organism

B. genetically modified

C. mutated

D. both (a) & (b)

Answer: D



Watch Video Solution

11. Fill in the blanks:

(i) The degenerated and non-functional organs found in an organism are called _____.

(ii) The theory of natural selection for evolution was proposed by ____.

A. Charles Darwin

B. W.F. Libby

C. Ernst Haeckel

D. Leonardo da Vinci

Answer: A





[Watch Video Solution](#)

12. LH is also known as

A. Monosomy

B. Trisomy

C. Nullisomy

D. None of the above

Answer: C



[Watch Video Solution](#)

1. Weight of a body is greater at the equator and less at the polar region .



[Watch Video Solution](#)

2. Apparent weight of a person is always equal to his actual weight



[Watch Video Solution](#)

3. Define power.



[Watch Video Solution](#)

4. Which hazardous radiation is the cause for the genetic disease ?



[Watch Video Solution](#)

5. (i) Give an example each (i) gas in liquid, (ii) liquid, (iii) solid in solid, (iv) gas in gas

(ii) explain the types of double displacement reactions with examples.



Watch Video Solution

6. Differentiate soaps and detergents .



Watch Video Solution

7. Explain the Excretory System of Leech briefly.



Watch Video Solution

8. What is transpiration pull ?



Watch Video Solution

9. What is mesoglea?



Watch Video Solution

10. A charge of 12 coulomb flows through a bulb in 5 second. What is the current through the bulb ?



[Watch Video Solution](#)

Part iii

1. Difference between mass and weight. (any five)



[Watch Video Solution](#)

2. What is the use of simple microscope ?



[Watch Video Solution](#)

3. With the help of a circuit diagram derive the formula for the resultant resistance of three resistances connected in series.



[Watch Video Solution](#)

4. Give the salient features of " Modern atomic theory ".



[Watch Video Solution](#)

5. How will you classify hydrocabons?



Watch Video Solution

6. Describe the structure of chromosome.



Watch Video Solution

7. How is a mule produced ?



Watch Video Solution

8. Name two common sexual diseases. What are their symptoms ?



[Watch Video Solution](#)

9. The amount of work done to move 20C charge from one point to another is 220 J. What is the potential difference between these two points ?



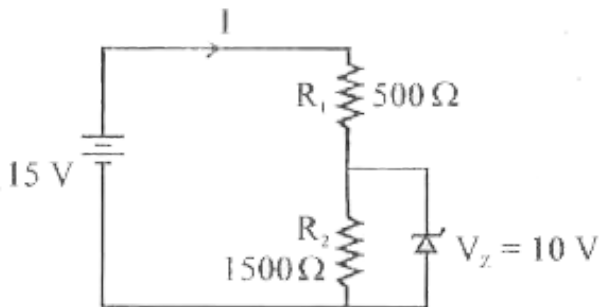
[Watch Video Solution](#)

1. What is refractive index ?



Watch Video Solution

2. In the circuit given , the current through the zener diode is





[Watch Video Solution](#)

3. define combination reaction.



[Watch Video Solution](#)

4. 7.5 litre of ethanol is present in 15 litre of aqueous solution of ethanol . Calculate Volume percent of ethanol solution .



[Watch Video Solution](#)

5. What does CNS stand for



Watch Video Solution

6. Explain the structure of a neuron.



Watch Video Solution